

| | | |
|----|---|----|
| en | Original Original Instructions - Plunge-cut saw | 6 |
| fr | Notice d'utilisation d'origine- Scie plongeante | 20 |
| es | Manual de instrucciones original - Sierra de incisión | 36 |

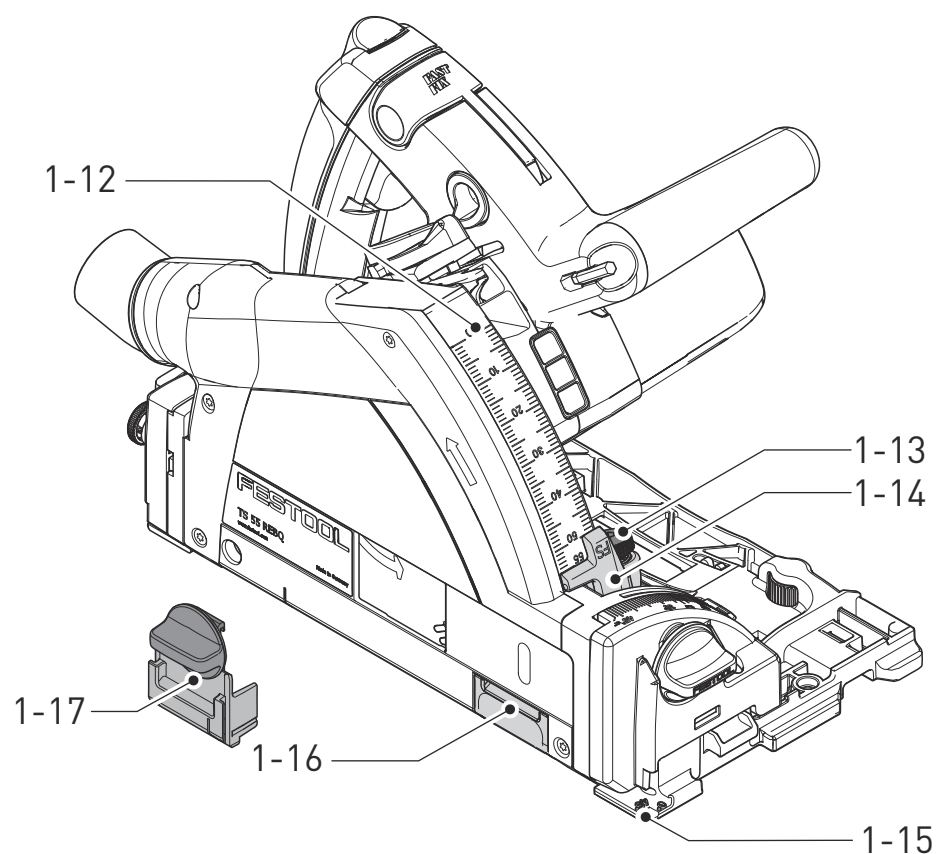
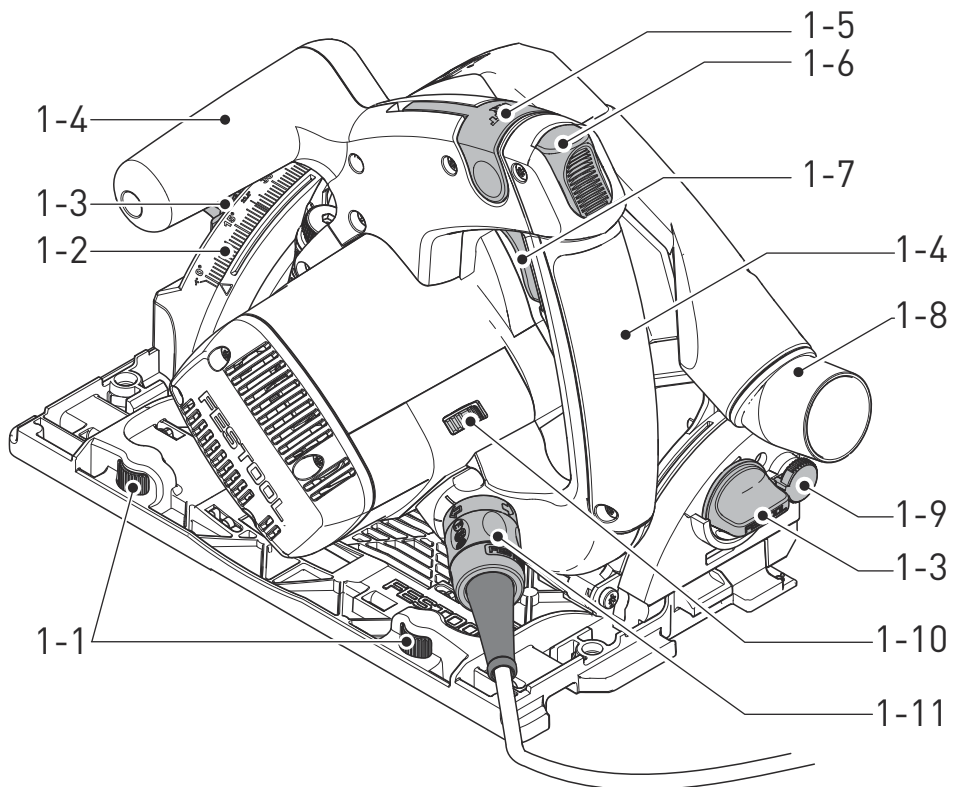


Read all instructions before using
Lire toutes les instructions avant de démarrer les travaux.
Lea y comprende todas las instrucciones antes de usar.



TS 55 REQ





1




Contents

| | | |
|----|-------------------------------|----|
| 1 | About this manual..... | 6 |
| 2 | Symbols..... | 6 |
| 3 | Safety warnings..... | 7 |
| 4 | Technical data..... | 10 |
| 5 | Functional description..... | 10 |
| 6 | Intended use..... | 10 |
| 7 | Commissioning..... | 11 |
| 8 | Settings..... | 12 |
| 9 | Working with the machine..... | 15 |
| 10 | Service and maintenance..... | 16 |
| 11 | Accessories..... | 18 |
| 12 | Environment..... | 19 |
| 13 | General information..... | 19 |







1 About this manual

Save these instructions

It is important for you to read and understand this manual. The information it contains relates to protecting **your safety** and **preventing problems**. The symbols below are used to help you recognize this information.

| | | |
|--|----------------|--|
|  | DANGER | Description of imminent hazard and failure to avoid hazard will result in death. |
|  | WARNING | Description of hazard and possible resulting injuries or death. |
|  | CAUTION | Description of hazard and possible resulting injuries. |
| | NOTICE | Description of possible damage of the device or its surroundings. |

2 Symbols

| | |
|--|--|
|  | Warning of general danger |
|  | Warning of electric shock |
|  | Read the operating manual and safety instructions. |
|  | Wear ear protection. |
|  | Wear protective gloves. |
|  | Wear a dust mask. |



Wear protective goggles.



Disconnect from the power supply!



Direction of rotation of saw and the saw blade



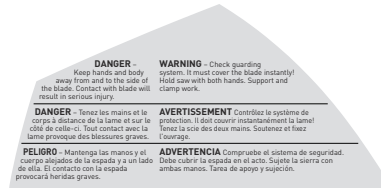
Handling instruction



Tip or advice



Safety class II



DANGER Keep hands and body away from and to the side of the blade. Contact with blade will result in serious injury.

WARNING Check guarding system. It must cover the blade instantly! Hold saw with both hands. Support and clamp work.

W watt

V volts

A amperes

Hz hertz

~ a.c. alternating current

— d.c. direct current

n_0 no load speed

rpm revolutions per minute

min^{-1} revolutions per minute

" inch

lb. pound



diameter

3 Safety warnings

3.1 General power tool safety warnings



WARNING! Read all safety warnings, instructions, illustrations and specifications provided with this power tool. Failure to follow all instructions listed below may result in electric shock, fire and/or serious injury.

Save all warnings and instructions for future reference.

The term "power tool" in the warnings refers to your mains-operated (corded) power tool or battery-operated (cordless) power tool.

1 WORK AREA SAFETY

- Keep work area clean and well lit.** Cluttered or dark areas invite accidents.
- Do not operate power tools in explosive atmospheres, such as in the presence of flammable liquids, gases or dust.** Power tools create sparks which may ignite the dust or fumes.
- Keep children and bystanders away while operating a power tool.** Distractions can cause you to lose control.

2 ELECTRICAL SAFETY

- Power tool plugs must match the outlet. Never modify the plug in any way. Do not use any adapter plugs with earthed (grounded) power tools.** Unmodified plugs and matching outlets will reduce risk of electric shock.
- Avoid body contact with earthed or grounded surfaces, such as pipes, radiators, ranges and refrigerators.** There is an increased risk of electric shock if your body is earthed or grounded.
- Do not expose power tools to rain or wet conditions.** Water entering a power tool will increase the risk of electric shock.
- Do not abuse the cord. Never use the cord for carrying, pulling or unplugging the power tool. Keep cord away from heat, oil, sharp edges or moving parts.** Damaged or entangled cords increase the risk of electric shock.
- When operating a power tool outdoors, use an extension cord suitable for outdoor use.** Use of a cord suitable for outdoor use reduces the risk of electric shock.
- If operating a power tool in a damp location is unavoidable, use a residual current device (RCD) protected supply.** Use of an RCD reduces the risk of electric shock.

3 PERSONAL SAFETY

- Stay alert, watch what you are doing and use common sense when operating a power tool. Do not use a power tool while you are tired or under the influence of drugs, alcohol or medication.** A moment of inattention while operating power tools may result in serious personal injury.
- Use personal protective equipment. Always wear eye protection.** Protective equipment such as a dust mask, non-skid safety shoes, hard hat or hearing protection used for appropriate conditions will reduce personal injuries.
- Prevent unintentional starting. Ensure the switch is in the off-position before connecting to power source and/or battery pack, picking up or carrying the tool.** Carrying power tools with your finger on the switch or energising power tools that have the switch on invites accidents.
- Remove any adjusting key or wrench before turning the power tool on.** A wrench or a key left attached to a rotating part of the power tool may result in personal injury.
- Do not overreach. Keep proper footing and balance at all times.** This enables better control of the power tool in unexpected situations.
- Dress properly. Do not wear loose clothing or jewellery. Keep your hair and clothing away from moving parts.** Loose clothes, jewellery or long hair can be caught in moving parts.
- If devices are provided for the connection of dust extraction and collection facilities, ensure these are connected and properly used.** Use of dust collection can reduce dust-related hazards.
- Do not let familiarity gained from frequent use of tools allow you to become complacent and ignore tool safety principles.** A careless action can cause severe injury within a fraction of a second.

4 POWER TOOL USE AND CARE

- Do not force the power tool. Use the correct power tool for your application.** The correct power tool will do the job better and safer at the rate for which it was designed.
- Do not use the power tool if the switch does not turn it on and off.** Any power tool that cannot be controlled with the switch is dangerous and must be repaired.

- c. **Disconnect the plug from the power source and/or remove the battery pack, if detachable, from the power tool before making any adjustments, changing accessories, or storing power tools.** Such preventive safety measures reduce the risk of starting the power tool accidentally.
- d. **Store idle power tools out of the reach of children and do not allow persons unfamiliar with the power tool or these instructions to operate the power tool.** Power tools are dangerous in the hands of untrained users.
- e. **Maintain power tools and accessories. Check for misalignment or binding of moving parts, breakage of parts and any other condition that may affect the power tool's operation. If damaged, have the power tool repaired before use.** Many accidents are caused by poorly maintained power tools.
- f. **Keep cutting tools sharp and clean.** Properly maintained cutting tools with sharp cutting edges are less likely to bind and are easier to control.
- g. **Use the power tool, accessories and tool bits etc. in accordance with these instructions, taking into account the working conditions and the work to be performed.** Use of the power tool for operations different from those intended could result in a hazardous situation.
- h. **Keep handles and grasping surfaces dry, clean and free from oil and grease.** Slippery handles and grasping surfaces do not allow for safe handling and control of the tool in unexpected situations.

5 SERVICE

- a. **Have your power tool serviced by a qualified repair person using only identical replacement parts.** This will ensure that the safety of the power tool is maintained.
- b. **Only use original Festool parts for repair and maintenance.** The use of incompatible accessories or spare parts can result in electric shocks or other injuries.

3.2 Machine-related safety instructions



Wear suitable personal protective equipment: ear protection, safety goggles, a dust mask for work which generates dust, and


protective gloves when working with raw materials and when changing tools.

- Hazardous/toxic dust may be produced during work (e.g. wood dust or mineral wool dust). Contact with or inhalation of this dust may pose a risk for the operating personnel or persons in the vicinity. Comply with the safety regulations that apply in your country.



Wear a P2 respiratory mask to protect your health.

Cutting procedures

-  **DANGER: Keep hands away from cutting area and the blade. Keep your second hand on auxiliary handle, or motor housing.** If both hands are holding the saw, they cannot be cut by the blade.
- **Do not reach underneath the workpiece.** The guard cannot protect you from the blade below the workpiece.
- **Adjust the cutting depth to the thickness of the workpiece.** Less than a full tooth of the blade teeth should be visible below the workpiece.
- **Never hold the workpiece in your hands or across your leg while cutting. Secure the workpiece to a stable platform.** It is important to support the work properly to minimize body exposure, blade binding, or loss of control.
- **Hold the power tool by insulated gripping surfaces, when performing an operation where the cutting tool may contact hidden wiring or its own cord.** Contact with a "live" wire will also make exposed metal parts of the power tool "live" and could give the operator an electric shock.
- **When ripping, always use a rip fence or straight edge guide.** This improves the accuracy of cut and reduces the chance of blade binding.
- **Always use blades with correct size and shape (diamond versus round) of arbour holes.** Blades that do not match the mounting hardware of the saw will run off-centre, causing loss of control.
- **Never use damaged or incorrect blade washers or bolt.** The blade washers and bolt were specially designed for your saw, for optimum performance and safety of operation.

Kickback causes and related warnings

- kickback is a sudden reaction to a pinched, jammed or misaligned saw blade, causing an uncontrolled saw to lift up and out of the workpiece toward the operator;
- when the blade is pinched or jammed tightly by the kerf closing down, the blade stalls and the motor reaction drives the unit rapidly back toward the operator;
- if the blade becomes twisted or misaligned in the cut, the teeth at the back edge of the blade can dig into the top surface of the wood causing the blade to climb out of the kerf and jump back toward the operator.

Kickback is the result of saw misuse and/or incorrect operating procedures or conditions and can be avoided by taking proper precautions as given below.

- **Maintain a firm grip with both hands on the saw and position your arms to resist kickback forces. Position your body to either side of the blade, but not in line with the blade.** Kickback could cause the saw to jump backwards, but kickback forces can be controlled by the operator, if proper precautions are taken.
- **When blade is binding, or when interrupting a cut for any reason, release the trigger and hold the saw motionless in the material until the blade comes to a complete stop. Never attempt to remove the saw from the work or pull the saw backward while the blade is in motion or kickback may occur.** Investigate and take corrective actions to eliminate the cause of blade binding.
- **When restarting a saw in the workpiece, centre the saw blade in the kerf so that the saw teeth are not engaged into the material.** If a saw blade binds, it may walk up or kickback from the workpiece as the saw is restarted.
- **Support large panels to minimise the risk of blade pinching and kickback.** Large panels tend to sag under their own weight. Supports must be placed under the panel on both sides, near the line of cut and near the edge of the panel.
- **Do not use dull or damaged blades.** Unsharpened or improperly set blades produce narrow kerf causing excessive friction, blade binding and kickback.
- **Blade depth and bevel adjusting locking levers must be tight and secure before making the cut.** If blade adjustment shifts

while cutting, it may cause binding and kickback.

- **Use extra caution when sawing into existing walls or other blind areas.** The protruding blade may cut objects that can cause kickback.

Lower guard function

- **Check the lower guard for proper closing before each use. Do not operate the saw if the lower guard does not move freely and close instantly. Never clamp or tie the lower guard into the open position.** If the saw is accidentally dropped, the lower guard may be bent. Raise the lower guard with the retracting handle and make sure it moves freely and does not touch the blade or any other part, in all angles and depths of cut.
- **Check the operation of the lower guard spring. If the guard and the spring are not operating properly, they must be serviced before use.** Lower guard may operate sluggishly due to damaged parts, gummy deposits, or a build-up of debris.
- **The lower guard may be retracted manually only for special cuts such as "plunge cuts" and "compound cuts". Raise the lower guard by the retracting handle and as soon as the blade enters the material, the lower guard must be released.** For all other sawing, the lower guard should operate automatically.
- **Always observe that the lower guard is covering the blade before placing the saw down on bench or floor.** An unprotected, coasting blade will cause the saw to walk backwards, cutting whatever is in its path. Be aware of the time it takes for the blade to stop after switch is released.

Function of the guide wedge [5-4]

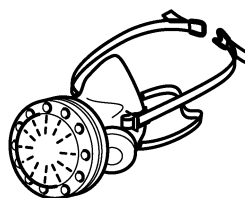
- Use the correct saw blade for the guide wedge.** To ensure that the guide wedge functions properly, make sure the blade core of the saw blade is thinner than the guide wedge and that the tooth width is greater than the thickness of the guide wedge.
- Do not operate the saw if the guide wedge is bent.** Even the slightest problem can cause the protective cover to close more slowly.

3.3 Health hazard by dust



WARNING! various dust created by power sanding, sawing, grinding, drilling and other construction activities contains chemicals known (to the State of California) to cause cancer, birth defects or other reproductive harm. Some examples of these chemicals are:

- lead from lead-based paints,
- crystalline silica from bricks and cement and other masonry products, and
- arsenic and chromium from chemically treated lumber.



The risk from these exposures varies, depending on how often you do this type of work. To reduce your exposure to these chemicals: work in a well ventilated area, and work with approved safety equipment, such as dust masks that are specially designed to filter out microscopic particles. Wash hands after handling.



WARNING

TO REDUCE THE RISK OF INJURY, USER MUST READ INSTRUCTION MANUAL.

4 Technical data

| | |
|--|---|
| Circular saw | TS 55 REQ |
| Power | 1200 W |
| No-load speed | 2000 - 5800 min ⁻¹ |
| Inclination | -1° to 47° |
| Cutting depth at 0° | 0 - 2-1/8" (0 - 55 mm) |
| Cutting depth at 45° | 0 - 1-11/16" (0 - 43 mm) |
| Saw blade dimensions | 6-1/4" x 3/32 x 25/32" (160x2.2x20 mm) |
| Weight (without mains cable) as per EPTA-Procedure 01:2014 | 9.92 lbs (4.5 kg) |

5 Functional description

The pictures for the functional description are on a fold-out page at the beginning of the instruction manual. While reading the manual you can fold out the page for comparison and quick reference.

- [1-1]** Adjustable jaws
- [1-2]** Angle scale
- [1-3]** Rotary knobs for angle adjustment
- [1-4]** Handles
- [1-5]** Lever for changing blades
- [1-6]** Switch-on lock
- [1-7]** On/Off switch
- [1-8]** Extractor connector
- [1-9]** Release buttons for undercuts -1° to 47°
- [1-10]** Speed control
- [1-11]** Mains power cable

- [1-12]** Split scale for cutting depth stop (with/without guide rail)
- [1-13]** Cutting depth adjusting screw for re-sharpened saw blades
- [1-14]** Cutting depth stop
- [1-15]** Cut indicator
- [1-16]** Viewing window / chipguard
- [1-17]** Splinterguard

6 Intended use

Plunge-cut saws are intended to be used for sawing wood, materials similar to wood, plaster and cement-bonded fibre materials and plastics. When fitted with special saw blades for aluminium offered by Festool, these machines can also be used for sawing aluminium.


Only use saw blades with the following dimensions:

- Saw blade according to EN 847-1
- Saw blade diameter 6-1/4" (160 mm)



- cutting width 3/32" (2.2 mm)
 - location hole 25/32" (20 mm)
 - standard blade thickness max. 1/16" (1.8 mm)
 - suitable for speeds of up to 9500 min⁻¹
- Do not use abrasive discs.


This power tool may only be used by experts or instructed persons.


Festool electric power tools must only be installed on work tables provided by Festool for this purpose. If the tool is installed in another, or self-made, work table, it can become unstable and result in serious accidents.

 The user is liable for damage and accidents caused by improper and non-intended use.


7 Commissioning

|   WARNING | |
|---|--|
| Unauthorised voltage or frequency! | |
| Risk of accidents | |
| <ul style="list-style-type: none"> ► The mains voltage and the frequency of the power source must correspond to the specifications on the machine's name plate. ► In North America, only Festool machines with the voltage specifications 120 V/60 Hz must be used. | |

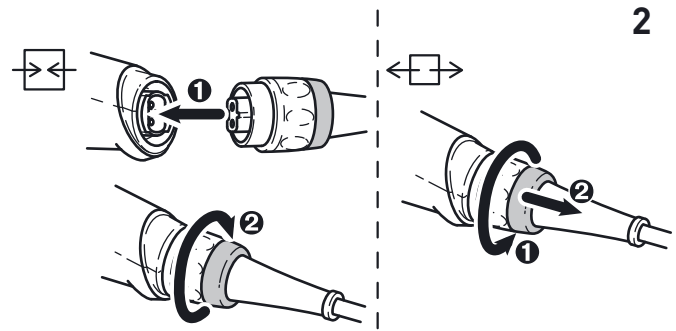
|  CAUTION | |
|---|--|
| Heating of the Plug it connection if bayonet fitting is not completely locked | |
| Risk of burns | |
| <ul style="list-style-type: none"> ► Before switching on the power tool, make sure that the bayonet fitting at the mains cable is closed fully and locked. | |

 Always switch the machine off before connecting or disconnecting the mains power cable!

Connecting and detaching the mains power cable **[1-11]** see Fig. **[2]**.

 Slide the switch-on lock **[1-6]** upwards and press the on/off switch **[1-7]** (press = ON / release = OFF).

Pressing the switch-on lock unlocks the plunging mechanism. The saw unit can then be moved downwards. This causes the saw blade to emerge from the protective cover.



7.1 Extension Cord

If an extension cord is required, it must have sufficient cross-section to prevent an excessive drop in voltage or overheating. An excessive drop in voltage reduces the output and can lead to failure of the motor. The table below shows you the correct cord diameter as a function of the cord length for this tool.


Tab. 7.1: Cord Size in A.W.G

| Tool's Ampere Rating | Cord Length in Feet | | | |
|----------------------|---------------------|----|-----|-----|
| | 25 | 50 | 100 | 150 |
| 3-6 | 18 | 16 | 16 | 14 |
| 6-8 | 18 | 16 | 14 | 12 |
| 8-10 | 18 | 16 | 14 | 12 |
| 10-12 | 16 | 16 | 14 | 12 |
| 12-16 | 14 | 12 | - | - |

Tab. 7.2: Wire Sizes in mm²

| Tool's Ampere Rating | Cord Length in Meters | | | |
|----------------------|-----------------------|------|-----|-----|
| | 15 | 30 | 60 | 120 |
| 3-6 | 0.75 | 0.75 | 1.5 | 2.5 |
| 6-8 | 0.75 | 1.0 | 2.5 | 4.0 |
| 8-10 | 0.75 | 1.0 | 2.5 | 4.0 |
| 10-12 | 1.0 | 2.5 | 4.0 | - |
| 12-16 | - | - | - | - |

Use only U.L. and CSA listed extension cords. Never use two extension cords together. Instead, use one long one.

 The lower the AWG number, the stronger the cord.

8 Settings



WARNING

Risk of injury, electric shock

- ▶ Always pull the mains plug out of the socket before performing any type of work on the machine!

8.1 Electronics

The machine features full-wave phase control electronics with the following features:

Smooth start-up





The electronically controlled smooth start-up function ensures that the power tool starts up smoothly.

Constant speed

The motor speed is electronically kept constant. This ensures a uniform cutting speed even when under load.

Speed control

You can continuously adjust the speed within the speed range using the adjusting wheel **[1-10]** (see Technical data). This enables you to optimise the cutting speed to suit specific surfaces (see table).

| Material | | Speed range |
|--|---|---------------|
|  | Solid wood (hard, soft) Chipboard and hardboard Laminated wood, blockboard, veneered and laminated panels | 6 3-6 6 |
|  | Plastics, fibre-reinforced plastics (FRP), paper and mesh Acrylic glass | 3-5 4-5 |
|  | Gypsum and cement-bonded fibreboard | 1-3 |
|  | Aluminium panels and profiles up to 15 mm | 4-6 |

Temperature cut-out

When exceeding a certain engine temperature level, the machine power supply and speed are capped. The power tool continues operating at reduced power to allow the ventilator to cool the motor rapidly. The power tool resumes to

full performance automatically once the motor has cooled sufficiently.

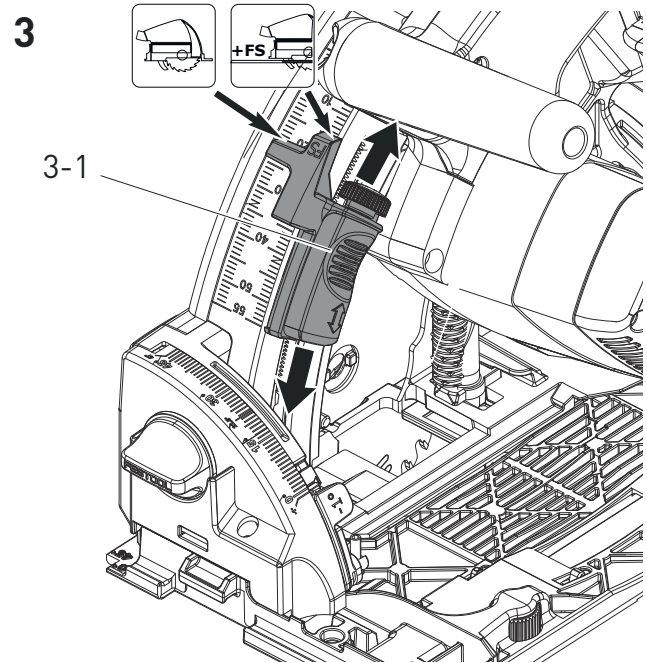
Current limiting

Current limiting prevents excessive current consumption under extreme overload, which can lead to a decrease in the motor speed. The motor immediately restarts after the load is removed.

8.2 Adjusting the cutting depth

The cutting depth can be adjusted to between 0 and 2-1/8" (55 mm) on the cutting depth stop **[3-1]**:

The sawing unit can now be pressed down to the set cutting depth.



Cutting depth without guide rails
max. 2-1/8" (55 mm)



Cutting depth with guide rail FS
max. 1-15/16" (51 mm)

8.3 Adjusting the cutting angle between 0° and 45°:

- ▶ Unscrew the rotary knobs **[4-1]**.
- ▶ Swivel the sawing unit to the desired cutting angle **[4-2]**.
- ▶ Tighten the rotary knobs **[4-1]**.



Both positions (0° and 45°) are set at the factory and can be readjusted by the customer service team.



When making angled cuts, slide the viewing window/splinter guard to the highest position.

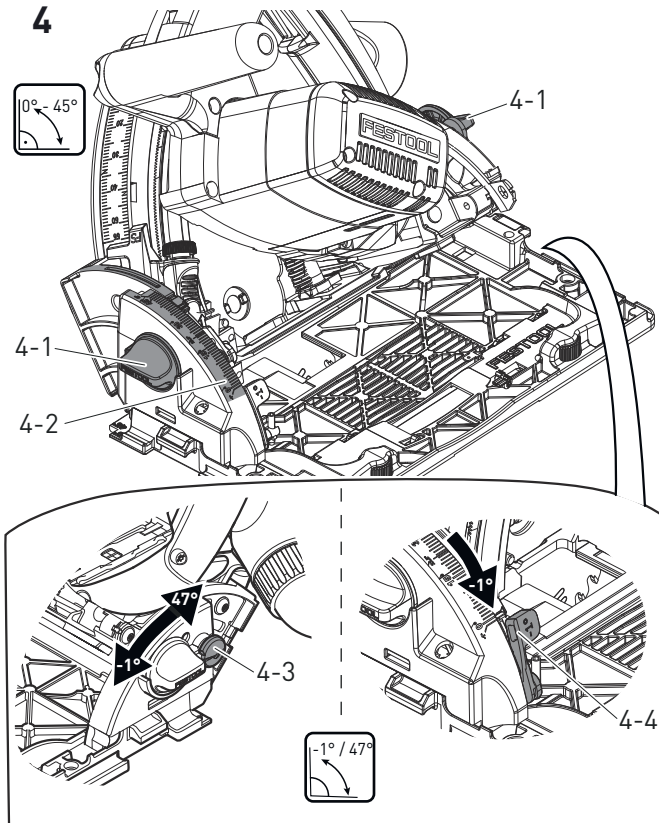
to undercut -1° and 47°:

- ▶ Swivel the saw unit to the end position (0°/45°) as described above.
- ▶ Pull out the release button [4-3] slightly.
- ▶ For -1° undercuts, also pull the release button [4-4].

The saw unit engages in the -1°/47° position.

- ▶ Tighten the rotary knobs [4-1].

4



8.4 Saw blade

| | |
|--|----------------|
| | WARNING |
| Cracked saw blades or sawblades with changed shape | |
| Risk of injury | |
| <ul style="list-style-type: none"> ▶ Check regularly whether the saw blade is in good condition and changed immediately, if this is not the case. | |

When selecting the saw blades it is essential that the following points are observed:

- Do not use saw blades made of high alloy high speed steel (HSS circular saws), as otherwise there is a great danger of kick-back.
- Use only saw blades that have an outside diameter of 6-1/4" (160 mm).
- The bore diameter of the saw blade holder should be 25/32" (20 mm).
- Use only saw blades with a fundamental thickness of max. 1/16" (1.8 mm) and a cut-

ting width of 3/32" (2.2 mm) to 1/8" (3.0 mm).

The TS 55 REQ was tested with Festool saw blades listed in the Festool catalogue. For your own safety, we recommend that you use only those saw blades.

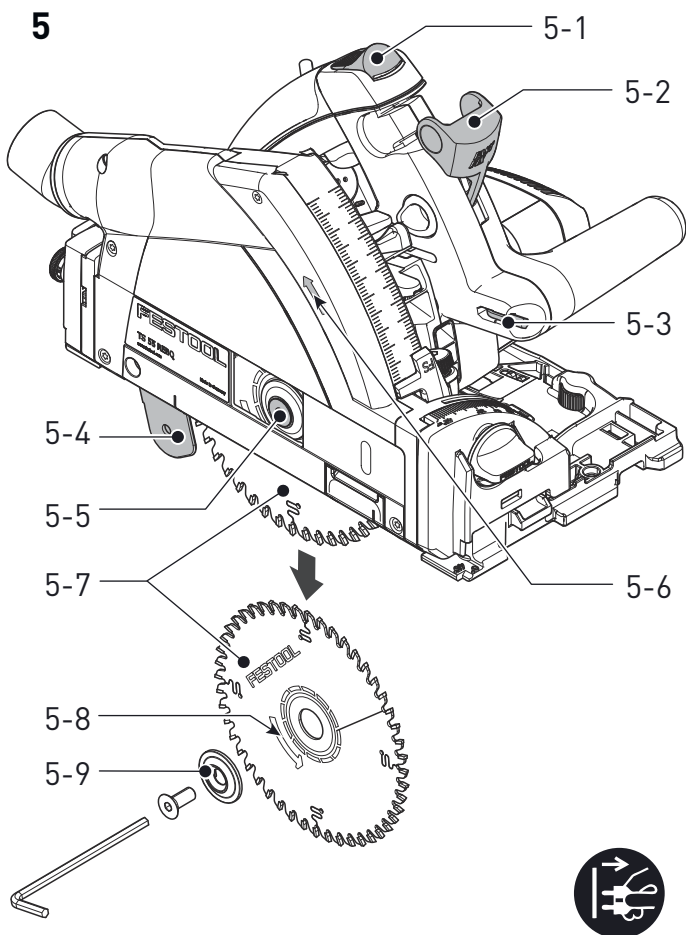
8.5 Changing the saw blade

| | |
|--|----------------|
| | CAUTION |
| Risk of injury from hot and sharp tool | |
| <ul style="list-style-type: none"> ▶ Do not use any blunt or faulty tools. ▶ Wear protective gloves. | |

- ▶ Before changing the saw blade, set the machine to the 0° position and select the maximum cutting depth.
- ▶ Fold over the lever [5-2] to its end position.
- ▶ Push up the switch-on lock [5-1] and push down the saw unit until it engages.
- ▶ Loosen the screw [5-5] using the Allen key [5-3].
- ▶ Remove the saw blade [5-7].
- ▶ Insert a new saw blade.

The rotational direction of the saw blade [5-8] and machine [5-6] must be the same!

- ▶ Insert the outer flange [5-9] so that the pin engages in the recess on the inner flange.
- ▶ Tighten the screw [5-5] firmly.
- ▶ Fold back the lever [5-2].



8.6 Fitting the viewing window/ splinterguard [6]

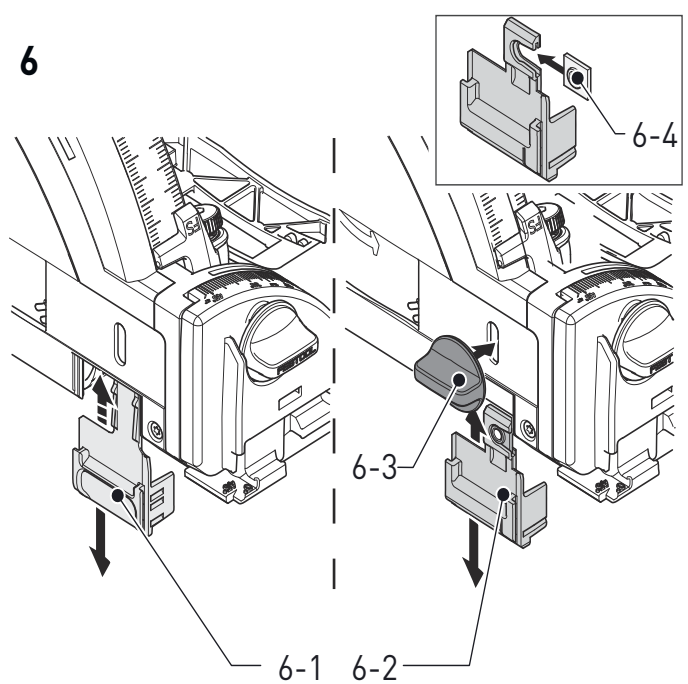
The **viewing window** (transparent) [6-1] provides a view of the saw blade and optimises dust extraction.

With 0° cuts, the **splinterguard** (green) [6-2] also improves the quality of the cutting edge of the sawn-off workpiece on the upper side.

- ▶ Insert the splinterguard [6-2].
- ▶ Screw the rotary knob [6-3] through the long hole in the splinterguard.

i Make sure that the nut [6-4] is seated securely in the splinterguard.

! **Use only knob that comes with your circular saw.** The knob of an other saw may be too long and block the blade.



You must bed in the splinterguard before using it:

- ▶ Set the machine to maximum cutting depth.
- ▶ Set the machine speed to 6.



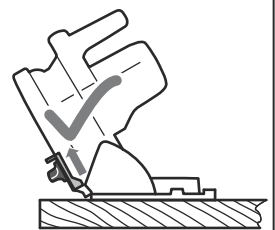
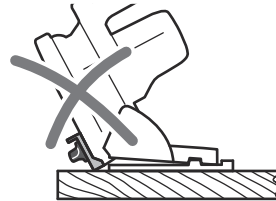
WARNING

Raise of the circular saw from the workpiece, when making mitre cuts with the splinterguard or viewing window

Risk of injury

- ▶ Always lift the splinterguard/ view window when making mitre cuts.

! WARNING



8.7 Dust extraction



WARNING

Health hazard posed by dust

- ▶ Always work with an extractor.
- ▶ Comply with national regulations.
- ▶ Wear a dust mask.

A Festool mobile dust extractor with an extractor hose diameter of 1-1/16" (27 mm) or 1-7/16" (36 mm) (36 mm recommended due to the reduced risk of clogging) can be connected to the extractor connector [1-8].

9 Working with the machine



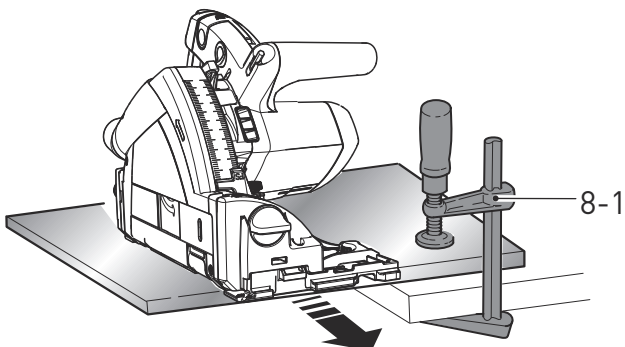
Please observe all mentioned safety informations and the following rules when working:

- Check the installation fixture prior to use and do not use the machine if the fixture does not function correctly.
- Always hold the machine with two hands at the handles **[1-4]** when performing work. This reduces the risk of injury and is a prerequisite for precise work.
- Adapt the fast-feed speed to prevent the cutters on the saw blade from overheating and prevent plastic materials from melting during cutting.
- Make sure that all rotary knobs **[4-1]** are tightened before starting work.
- After the machine has been switched off, the saw blade will still rotate for a time. Take care that parts of your body do not come into contact with the saw blade while it is still rotating!
- Do not use the machine when the electronics are faulty because the machine may operate at excessive speeds. An absence of the smooth start-up function or speed control indicates that the electronics are faulty.



For work that generates dust, wear a dust mask.

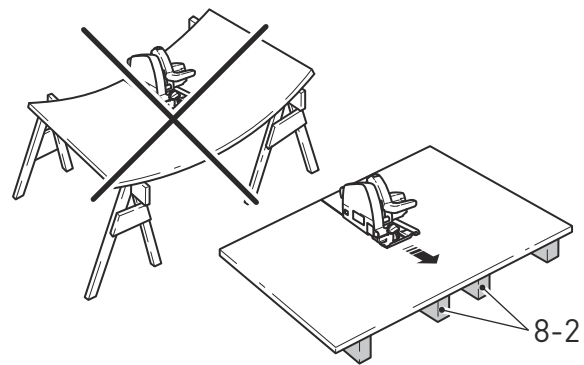
9.1 Support of the workpieces



Ensure that your workpieces are securely fixed and cannot move during sawing. Otherwise, there is an increased risk of accident. Never hold the workpiece to be cut with your hands or between your legs. Use instead screw clamps **[8-1]** or some other suitable devices to fix your workpiece.

Never position large or long workpieces so that they bend in the middle or at the cutting face. This can lead to the saw blade jamming and recoiling. Instead, support the workpiece with

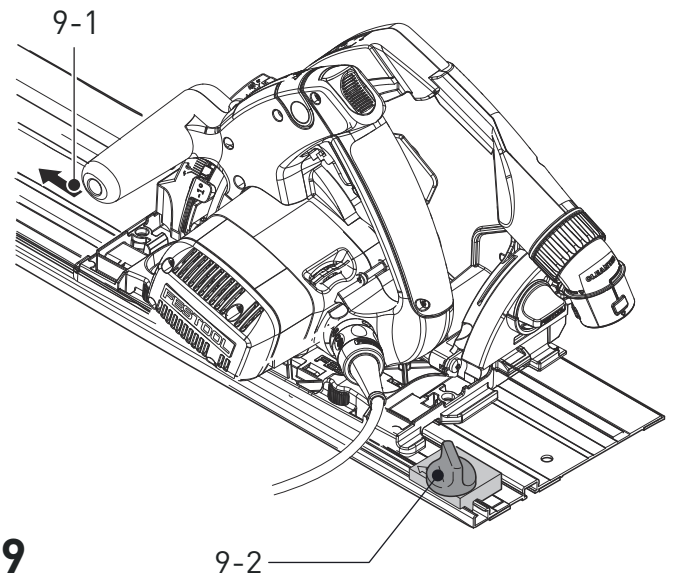
several wooden battens **[8-2]**, particularly in the vicinity of the cutting face.



9.2 Sawing

⚠ WARNING The machine must reach full speed before cutting begins and should only be switched off once cutting has finished.

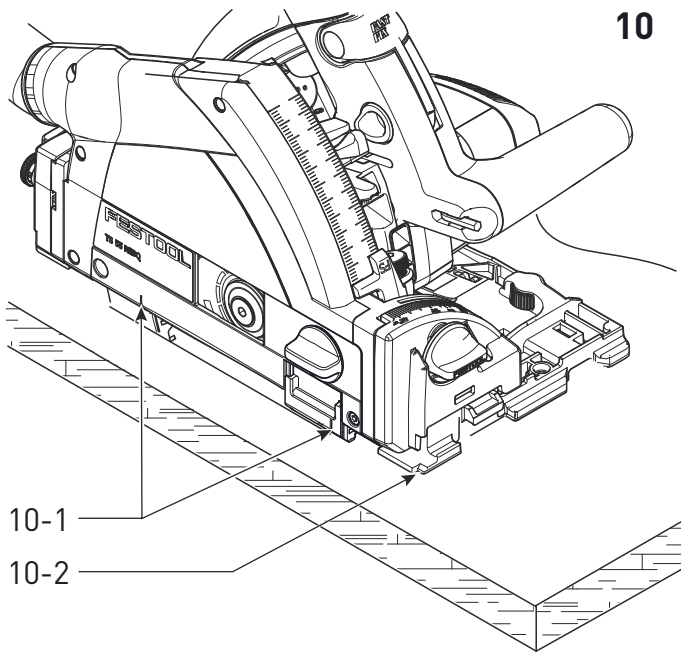
⚠ WARNING Only operate the saw away from you (pushing the circular saw forwards, **[9-1]**) and never towards you (pulling the circular saw backwards). If you saw towards you, there is the danger that the circular saw might be accelerated out of the cutting groove (recoil) and cause serious injury.).



A) Sawing sections

- ▶ Place the front part of the saw bench on the workpiece. The cutting indicator **[10-2]** displays the cutting line for 0° and 45° cuts (without guide rail).
- ▶ Switch the machine on, and press the saw down to the set cutting depth.
- ▶ Push the machine in the direction of cut. Take care that the saw bench remains firmly on the workpiece.
- ▶ Switch the machine off when cutting is completed.

10



B) Plunge cuts

⚠ WARNING In order to avoid kickbacks, the following instructions absolutely must be observed when plunge cutting:

- The machine must always be placed with the rear edge of the saw table against a fixed stop.
- When working with a guide rail, the machine must be positioned against the kickback stop [9-2], (accessories), which is clamped on the guide rail.
- The machine must always be held securely with both hands and only plunged slowly.

Procedure

- ▶ Place the machine onto the workpiece and position it against a stop (kickback stop).
- ▶ Switch the machine on.
- ▶ Slowly press it down onto the set cutting depth and push it forward in the cutting direction.

The markings [10-1] display the absolute front and the absolute rear cutting points of the saw blade (dia. 6-1/4" (160 mm) at maximum cutting depth and using the guide rail.

C) Aluminium processing

⚠ WARNING When processing aluminium, the following measures must be taken for safety reasons:

- Install an upstream residual-current circuit breaker (FIG, PRCD).
- Connect the machine to a suitable dust extractor.
- Regularly remove dust deposits from the motor housing.
- Use a aluminium saw blade.

- Close the viewing window/chipguard.



Wear protective goggles.

- When sawing panels, they must be lubricated with paraffin but thin-walled profiles (up to 1/8" (3 mm)) can be sawed without lubrication.

D) Plaster and cement-bonded fibre boards

Due to the high build-up of dust, use of a cover ABSA-TS55 (accessory) mounted to the side of the protective cover is recommended.

10 Service and maintenance



WARNING

Any maintenance or repair work that requires opening of the motor or gear housing should only be carried out by an authorised Customer Service Centre (name supplied by your dealer)!

- ▶ Maintenance or repair work carried out by an unauthorised person can lead to the wrong connection of the power cord or other components, which in turn can lead to accidents with serious consequences.



WARNING

To prevent accidents, always remove the plug from the power supply socket before carrying out any changes or maintenance work on the tool!

- ▶ Do not use compressed air to clean the electrical tool! Do not try to clean parts inside the tool in this way, as you could let foreign objects in through the openings of the tool housing.



CAUTION

Certain cleaning agents and solvents are harmful to plastic parts.

- ▶ Some of these include, but are not limited to: Gasoline, Acetone, Methyl Ethyl Ketone (MEK), Carbonyl Chloride, cleaning solutions containing Chlorine, Ammonia, and household cleaners containing Ammonia.



Customer service and repairs must only be carried out by the manufacturer or service workshops. Find the nearest address at: www.festoolusa.com/service



Always use original Festool spare parts. Order no. at: www.festoolusa.com/service

The machine is equipped with special carbon brushes. If they are worn out, the power is interrupted automatically and the machine comes to a standstill.

In this case, take the unit to an authorised Customer Service Centre and have the carbon brushes changed.

Observe the following instructions:

- ▶ To ensure constant air circulation, always keep the cooling air openings in the housing clean and free of blockages.
- ▶ Use an extractor on all openings of the power tool to remove wood chips and splinters.
- ▶ Damaged safety devices and components must be repaired or replaced in a recognised specialist workshop, unless otherwise indicated in the operating manual.
- ▶ When working with plaster- and cement-bonded fibreboards, clean the tool particularly thoroughly. Clean the vents of the power tool and on/off switch using dry, oil-free compressed air. Otherwise, gypsum dust deposits may build up inside the power tool's housing and on the on/off switch and harden when exposed to humidity. This may impair the switching mechanism.
- ▶ Check all warnings on the electric power tool for readability and completeness. Replace missing or illegible warnings.



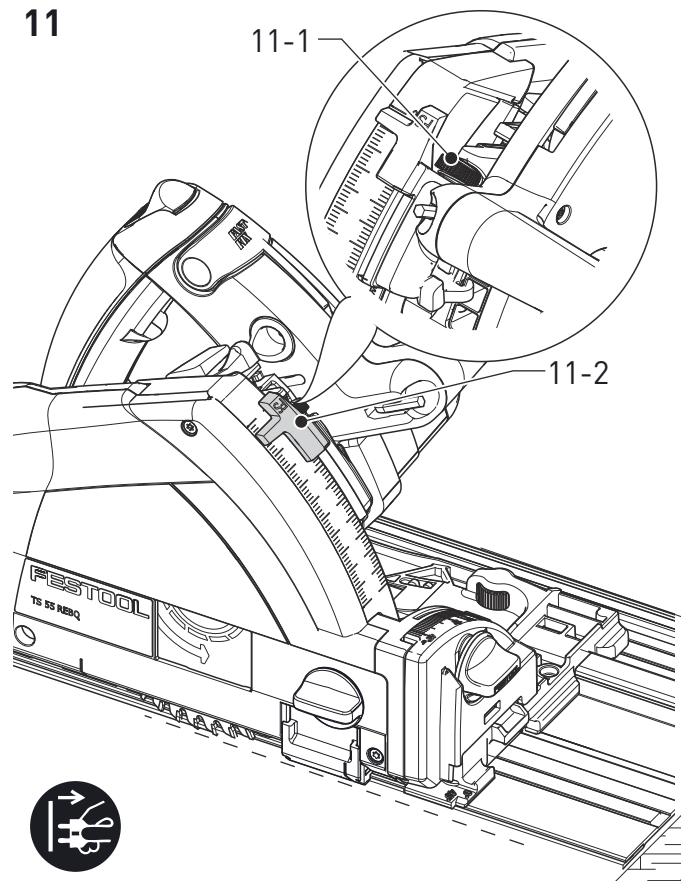
The plunging mechanism must always move free and move back automatically into starting position. Always keep the area around the guard/ protective cover clean. Clear from dust and chippings by blowing out with compressed air or using a brush.

After being removed away from the workpiece, the machine automatically returns to its basic position, the saw blade retracts into the protective cover and the cut-in and release block engages once again. If this no longer functions, stop using the circular saw and have it repaired immediately by an authorised Customer Service Centre.

The guide wedge must be aligned with the saw blade, and should not be crooked. A faulty guide wedge must be replaced immediately. Under no

circumstances use the saw without the guide wedge because of the increased risk of recoil. Even with proper usage the teeth of the saw blade become blunt in time. Change the saw blade as soon as you notice that you need a greater force to push the machine during sawing or the quality of cut has deteriorated. Take blunt saw blades back to an authorised Customer Service Centre for re-sharpening. Take the saw blades out when you want to clean them of resin and wood. Use kerosene for cleaning the saw blades.

10.1 Resharpended saw blades



The cutting depth of resharpended saw blades can be adjusted accurately using the adjusting screw **[11-1]**.

- ▶ Adjust the cutting depth stop **[11-2]** to 0" (with guide rail).
- ▶ Unlock the saw unit and push downwards until it reaches the stop.
- ▶ Turn in the adjusting screw **[11-1]** until the saw blade touches the workpiece.

10.2 Saw table wobbles



The saw table must be on an even surface when adjusting the cutting angle.

If the saw table wobbles, the setting must be performed again (**Chapter 8.2**).

11 Accessories

Use only original Festool accessories and Festool consumable material intended for this machine. These components are designed specifically for this machine. Using accessories and consumable material from other suppliers will most likely affect the quality of your results and limit warranty claims. Machine wear or your own personal workload may increase depending on the application. Protect yourself and your machine, and preserve your warranty claims by always using original Festool accessories and Festool consumable material!

The order numbers of the accessories and tools can be found in the Festool catalogue or on the Internet under "www.festoolusa.com".

11.1 Saw blades, other accessories

In order to saw different materials quickly and cleanly, Festool offers saw blades for all applications that are specially designed for your Festool circular saw.

11.2 Parallel stop, table widener

A parallel stop can be used for section widths up to 7-1/16" (180 mm). The parallel stop can also be used as a table widener.

11.3 Side-mounted cover, false joints

The cover that can be mounted on the side of the protective cover improves the effect of dust extraction for 0° cuts.

Simultaneously, the cover can be used as a false joint stop for false joint widths from 3/4" (18 mm) onwards.

11.4 Guide system

The guide rails, which are available in different lengths, allow for precise, clean cuts and simultaneously protect the workpiece surface against damage.

In conjunction with the extensive range of accessories, exact angled cuts, mitre cuts and fitting work can be completed with the guide system. The option of attaching the guide rail securely using clamps [12-2] ensures safer working conditions.

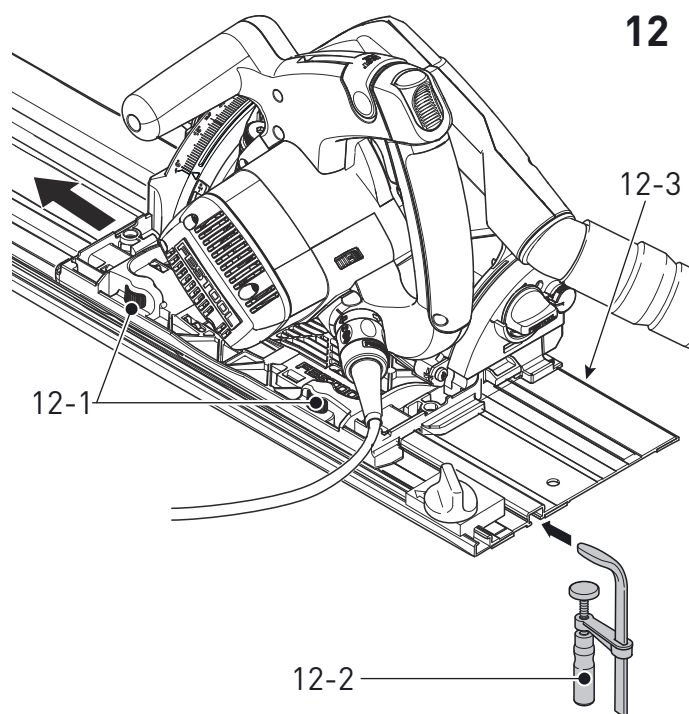
- ▶ Adjust the guide play between the saw table and the guide rail using the two adjustable jaws [12-1].

Bed in the splinterguard [12-3] before using the guide rail for the first time:

- ▶ Set the power tool speed to 6.
- ▶ Place the power tool at the rear end of the guide rail together with the complete guide plate.

- ▶ Switch on the power tool.
- ▶ Push down the power tool slowly to the max. preset cutting depth and cut along the full length of the splinterguard without stopping.

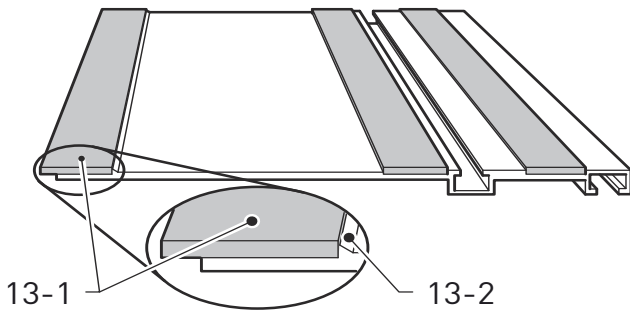
The edge of the splinterguard now corresponds exactly to the cutting edge.



The splinterguard needs to be replaced if it becomes damaged or worn:

- ▶ Peel the original splinterguard [13-1] away from the guide rail.
- ▶ As needed, clean residual adhesive and debris from the guide rail.
- ▶ Peel off the plastic backing from the new splinterguard to expose the adhesive.
- ▶ Without stretching the rubber, carefully place the new splinterguard on the underside of the guide rail tight to the alignment rib [13-2].
- ▶ Make sure the splinterguard is firmly pressed down to the guide rail.
- ▶ Trim the splinterguard as described before.

13



11.5 SYSTAINER

Systainer

Many Festool products are shipped in a unique system container, called "Systainer". This provides protection and storage for the tool and accessories. The Systainers are stackable and can be interlocked together. They also can be interlocked atop Festool CT dust extractors.

To open the Systainer



Turn the T-loc **[SYS-b-1]** to this position.

To lock the Systainer



Turn the T-loc **[SYS-b-1]** to this position.

To connect two Systainers

Place one Systainer on the top of the other (Fig. **[SYS-a]**).

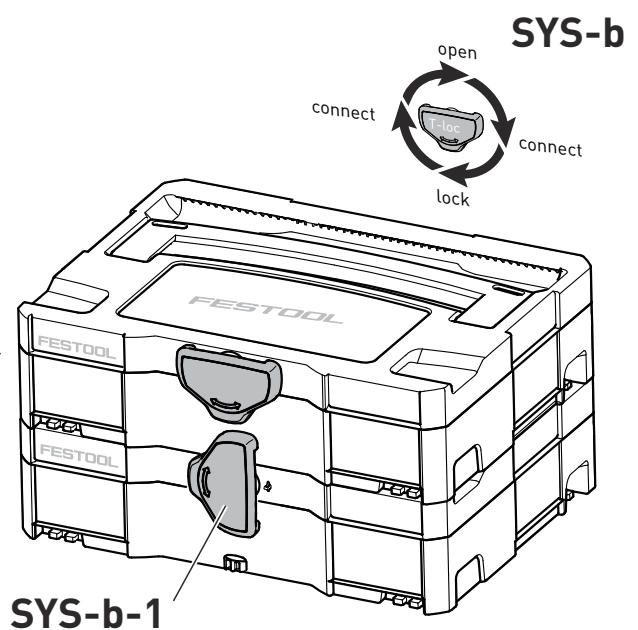
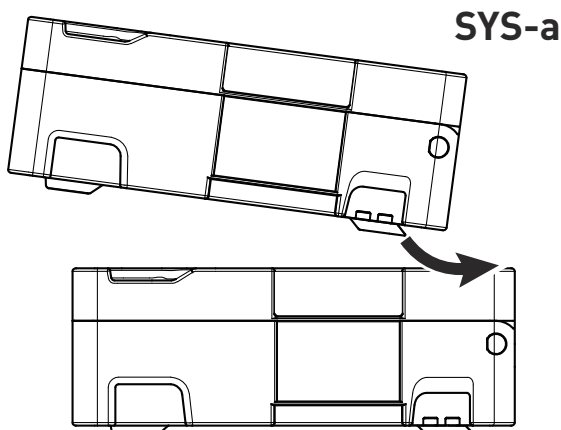


Turn the T-loc **[SYS-b-1]** to one of this positions (Fig. **[SYS-b]**).

The Systainers are connected and locked.



A new generation Systainer is connectable on top of a previous generation Systainer by the four latches of the previous Systainer.



12 Environment

Do not dispose of the device as domestic waste! Dispose of machines, accessories and packaging at an environmentally responsible recycling centre. Observe the respective national regulations.

13 General information

13.1 Information on data protection

The power tool contains a chip which automatically stores machine and operating data. The data saved cannot be traced back directly to an individual.

The data can be read using special (contactless) devices and shall only be used by Festool for fault diagnosis, repair and warranty processing and for quality improvement or enhancement of the power tool. The data shall not be used in any other way without the express consent of the customer.

Sommaire

| | | |
|----|----------------------------------|----|
| 1 | À propos de ce manuel..... | 20 |
| 2 | Symboles..... | 20 |
| 3 | Consignes de sécurité..... | 21 |
| 4 | Caractéristiques techniques..... | 25 |
| 5 | Description fonctionnelle..... | 25 |
| 6 | Utilisation conforme..... | 25 |
| 7 | Mise en service..... | 26 |
| 8 | Réglages..... | 27 |
| 9 | Travail avec la machine..... | 30 |
| 10 | Maintenance et entretien..... | 32 |
| 11 | Accessoires..... | 33 |
| 12 | Environnement..... | 35 |
| 13 | Remarques générales..... | 35 |

1 À propos de ce manuel

Conservez ces instructions

Il est important pour vous de lire et de comprendre ce manuel. Les informations qu'il contient, se rapporte à la protection **de votre sécurité** et **de prévention des problèmes**. Les symboles suivants sont utilisés pour vous aider à reconnaître cette information.



DANGER

Description du risque imminent et l'incapacité à éviter tout risque qui peut entraîner la mort.



AVERTISSEMENT

Description des dangers possibles et des blessures qui en résultent ou la mort.



ATTENTION

Description des dangers et des éventuelles blessures qui en résultent.

AVIS

Description des dommages potentiels sur l'appareil ou dans son environnement.

2 Symboles



Avertit d'un danger général



Avertit d'un risque de décharge électrique



Lire le mode d'emploi et les consignes de sécurité !



Porter une protection auditive !



Porter des gants de protection !



Porter une protection respiratoire !



Porter des lunettes de protection !



Débrancher la fiche secteur



Sens de rotation de la scie et de la lame de scie



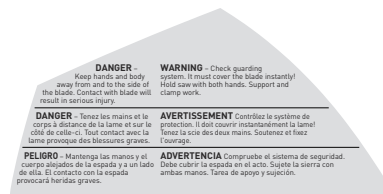
Instruction



Conseil, information



Classe de protection II



DANGER Tenez les mains et le corps à distance de la lame et sur le côté de celle-ci. Tout contact avec la lame provoque des blessures graves.

AVERTISSEMENT Contrôlez le système de protection. Il doit couvrir instantanément la lame! Tenez la scie des deux mains. Soutenez et fixez l'ouvrage.

W watt

V Volt

A Ampère

Hz Hertz

~
a.c. Tension alternative

—
d.c Tension continu

n_0 Vitesse de rotation à vide

rpm

min^{-1} Tours ou course par minute

tr/mi

n

- " pouce
- lb. livre
- ∅ Diamètre

3 Consignes de sécurité

3.1 Consignes générales de sécurité pour outils électroportatifs



AVERTISSEMENT ! Veuillez lire toutes les consignes de sécurité, instructions, illustrations et caractéristiques techniques qui accompagnent le présent outil électroportatif.

Des négligences relatives aux instructions suivantes peuvent occasionner un choc électrique, un incendie et/ou des blessures graves.

Conserver l'ensemble des consignes de sécurité et des instructions afin de pouvoir les consulter ultérieurement.

Le terme « outil électroportatif » utilisé dans les consignes de sécurité se rapporte aux outils électroportatifs fonctionnant sur secteur (avec câble) et aux outils électroportatifs fonctionnant sur batterie (sans câble).

1 SÉCURITÉ DU POSTE DE TRAVAIL

- a. **Veillez à ce que la zone de travail soit propre et bien éclairée.** Un poste de travail en désordre ou mal éclairé peut entraîner des accidents.
- b. **Ne vous servez pas de l'outil électroportatif dans un environnement où il y a un risque d'explosion dû à la présence de liquides inflammables, de gaz ou de poussières.** Les outils électroportatifs peuvent générer des étincelles susceptibles d'enflammer la poussière ou les vapeurs.
- c. **Éloignez les enfants et d'autres personnes pendant l'utilisation de l'outil électroportatif.** Si vous êtes distrait, vous pouvez perdre le contrôle de l'outil.

2 SÉCURITÉ ÉLECTRIQUE

- a. **Le connecteur de l'outil électroportatif doit correspondre à la prise électrique. Le connecteur ne doit être modifié d'aucune façon. N'utilisez pas d'adaptateur avec des outils électroportatifs mis à la terre.** Des connecteurs intacts et des prises correspondantes diminuent le risque d'un choc électrique.
- b. **Évitez tout contact avec des surfaces mises à la terre telles que des tuyaux, chauffages, cuisinières et réfrigérateurs.** Un

risque élevé de choc électrique existe si votre corps est relié à la terre.

- c. **Protégez les outils électroportatifs de la pluie et de l'humidité.** L'infiltration d'eau dans un outil électroportatif augmente le risque de choc électrique.
- d. **Ne détournez pas l'utilisation du câble de raccordement pour porter l'outil électroportatif, l'accrocher ou pour tirer le connecteur de la prise. Éloignez le câble de la chaleur, de l'huile, de bords tranchants ou de pièces en mouvement.** Des câbles de raccordement endommagés ou enchevêtrés augmentent le risque de choc électrique.
- e. **Si vous travaillez avec un outil électroportatif à l'extérieur, utilisez uniquement des rallonges prévues pour l'extérieur.** L'utilisation d'un câble prévu pour l'extérieur diminue le risque d'un choc électrique.
- f. **Utilisez un disjoncteur à courant de défaut quand le fonctionnement de l'outil électroportatif en environnement humide ne peut pas être évité.** L'utilisation d'un disjoncteur à courant de défaut diminue le risque d'un choc électrique.

3 SÉCURITÉ DES PERSONNES

- a. **Soyez attentif à ce que vous faites, faites preuve de bon sens lorsque vous travaillez avec l'outil électroportatif. N'utilisez pas l'outil électroportatif si vous êtes fatigué ou si vous êtes sous l'influence de drogues, de l'alcool ou de médicaments.** Un moment d'inattention lors de l'utilisation de l'outil électroportatif peut entraîner des blessures graves.
- b. **Portez un équipement de protection individuelle et des lunettes de protection en permanence.** Le port d'un équipement de protection individuelle tel que masque contre la poussière, chaussures de sécurité antidérapantes, casque ou protection auditive, en fonction du type et de l'utilisation de l'outil électroportatif, diminue le risque de blessures.
- c. **Évitez toute mise en service involontaire. Assurez-vous que l'outil électroportatif est déconnecté avant de le raccorder à l'alimentation électrique et/ou à la batterie, avant de le soulever ou de le porter.** Si, en portant l'outil électroportatif, vous avez le doigt sur l'interrupteur ou si vous raccordez l'appareil connecté à l'alimenta-

- tion électrique, cela peut entraîner des accidents.
- d. **Retirez les outils de réglage ou les clés anglaises avant de connecter l'outil électroportatif.** Un outil ou une clé qui se trouve dans une partie en rotation de l'outil électroportatif peut entraîner des blessures.
 - e. **Évitez toute position de travail anormale. Veillez à maintenir une position stable et un bon équilibre à tout moment.** Vous pourrez ainsi à tout moment contrôler l'outil électroportatif dans des situations inattendues.
 - f. **Portez des vêtements adaptés. Ne portez pas de vêtements amples ou de bijoux. Éloignez vos cheveux et vos vêtements des pièces en mouvement.** Des vêtements amples, des bijoux ou des cheveux longs pourraient se prendre dans les pièces en mouvement.
 - g. **Si des dispositifs d'aspiration et de récupération des poussières peuvent être montés, raccordez-les et utilisez-les correctement.** L'utilisation d'une aspiration des poussières peut diminuer les dangers dus aux poussières.
 - h. **Ne vous croyez pas faussement en sécurité et n'enfreignez pas les règles de sécurité destinées aux outils électroportatifs, même si vous maîtrisez l'outil électroportatif après de multiples utilisations.** Un manque d'attention peut en un quart de seconde entraîner de graves blessures.

4 UTILISATION ET TRAITEMENT DE L'OUTIL ÉLECTROPORTATIF

- a. **Ne surchargez pas l'outil électroportatif. Utilisez l'outil électroportatif destiné à votre travail.** L'outil électroportatif adapté vous permet de travailler mieux et avec plus de sécurité dans la plage de puissance indiquée.
- b. **N'utilisez aucun outil électroportatif dont l'interrupteur serait défectueux.** Un outil électroportatif qui ne peut plus être mis en marche ou arrêté est dangereux et doit être réparé.
- c. **Débranchez le connecteur de la prise de courant et/ou retirez une batterie amovible avant d'effectuer des réglages sur l'appareil, de remplacer des pièces d'outil ou de déposer l'outil électroportatif.** Cette mesure de précaution empêche un démarrage involontaire de l'outil électroportatif.

- d. **Rangez toujours les outils électroportatifs inutilisés hors de portée des enfants. Ne laissez aucune personne à laquelle vous ne faites pas confiance ou qui n'a pas lu ces consignes se servir de l'outil électroportatif.** Les outils électroportatifs sont dangereux lorsqu'ils sont utilisés par des personnes inexpérimentées.
- e. **Prenez soin de vos outils électroportatifs et outils. Vérifiez que les parties mobiles fonctionnent sans problème, qu'elles ne coincent pas et qu'il n'y a pas de parties cassées ou endommagées qui pourraient entraver le bon fonctionnement de l'outil électroportatif. Faites réparer les parties endommagées avant d'utiliser l'outil électroportatif.** De nombreux accidents sont dus à un mauvais entretien des outils électroportatifs.
- f. **Maintenez les outils de coupe affûtés et propres.** Des outils de coupe entretenus avec soin dotés de bords de coupe affûtés se coincent moins et sont plus faciles à utiliser.
- g. **Utilisez l'outil électroportatif, les outils, etc. en respectant ces instructions. Tenez compte des conditions de travail et de la tâche à effectuer.** L'utilisation des outils électroportatifs pour d'autres applications que celles prévues peut entraîner des situations dangereuses.
- h. **Veillez à ce que les poignées et surfaces des poignées soient sèches, propres et exemptes d'huile ou de graisse.** Des poignées et surfaces de poignées glissantes ne permettent pas une utilisation en toute sécurité ni un contrôle de l'outil électroportatif dans des situations imprévues.

5 SERVICE

- a. **Faites réparer votre outil électroportatif uniquement par un personnel qualifié ; les réparations doivent être effectuées avec des pièces d'origine uniquement, afin de garantir la fiabilité de l'outil électroportatif.**
- b. **Pour la réparation et l'entretien, n'utilisez que des pièces d'origine. L'utilisation d'accessoires ou de pièces détachées non adaptés risque de provoquer une électrocution ou des blessures.**

3.2 Consignes de sécurité spécifiques à la machine




- **Portez un équipement de protection individuelle approprié** : une protection auditive, des lunettes de protection, un masque anti-poussière lors des travaux s'accompagnant d'un dégagement de poussière et des gants de protection dans le cas des matériaux rugueux et lors du changement d'outil.
- Pendant l'utilisation, des poussières nocives/toxiques peuvent se former (par ex. poussière de bois ou de laine minérale). Le contact ou l'inhalation de ces poussières peut présenter un danger pour l'utilisateur ou les personnes se trouvant à proximité. Veuillez respecter les prescriptions de sécurité en vigueur dans votre pays.



Pour votre santé, portez un masque de protection respiratoire de classe P2.

Sciage

-  **DANGER ! N'approchez pas vos mains de la zone de sciage et de la lame de scie. Tenez la poignée supplémentaire ou le carter moteur à l'aide de votre deuxième main.** Vous éviterez tout risque de blessure avec la lame de scie si vous tenez la scie circulaire à deux mains.
- **Ne touchez pas le dessous de la pièce.** Le capot de protection ne peut pas vous protéger de la lame de scie dans la zone située au-dessous de la pièce.
- **Adaptez la profondeur de coupe à l'épaisseur de la pièce.** Les dents ne doivent pas être complètement visibles sous la pièce.
- **Ne tenez jamais la pièce à scier dans la main ou sur la jambe. Fixez la pièce sur un support stable.** Il est important de bien fixer la pièce à travailler afin de réduire les risques de contact corporel, de blocage de la lame de scie ou de perte de contrôle.
- **Si l'outil monté risque d'entrer en contact avec des câbles invisibles ou son propre câble de raccordement, tenez l'outil électroportatif par les parties isolées.** Le contact avec un câble sous tension met également les pièces métalliques de l'outil électroportatif sous tension et peut provoquer une décharge électrique.

- **Pour les coupes en longueur, utilisez toujours une butée ou une arête de guidage droite.** Ceci permet d'améliorer la précision de la coupe et de réduire les risques de blocage de la lame de scie.
- **Utilisez toujours des lames de scie présentant une taille et un trou de fixation adaptés (par ex. trou en forme de losange ou rond).** Les lames de scie qui ne sont pas adaptées aux pièces de montage de la scie tournent de manière excentrique et entraînent une perte de contrôle.
- **N'utilisez jamais de brides ou de vis de serrage détériorées ou inadaptées.** Les brides et les vis de serrage de la lame de scie ont été conçues spécialement pour votre scie afin de garantir une performance optimale ainsi que la sécurité de fonctionnement.

Causes du recul et consignes de sécurité correspondantes

- Le recul est un mouvement soudain qu'effectue la lame de scie quand elle s'accroche, se coince ou est mal alignée. La scie se soulève alors de manière incontrôlée, sort du matériau et se déplace en direction de l'utilisateur ;
- quand la lame de scie s'accroche ou se coince dans la fente de coupe qui se resserre, elle reste bloquée et la force générée par le moteur repousse l'appareil en direction de l'utilisateur ;
- Si la lame de scie se tord ou est mal alignée dans la ligne de coupe, les dents de sa partie arrière peuvent s'accrocher dans la surface de la pièce. Dans ce cas, la lame de scie est éjectée de la fente de coupe et la scie est repoussée en direction de l'utilisateur.

Le recul résulte d'une utilisation incorrecte ou inappropriée de la scie. Il peut être évité en appliquant les mesures de précaution adéquates, comme décrit ci-après.

- **Tenez fermement la scie des deux mains et placez vos bras à une position dans laquelle vous serez en mesure de résister à la force du recul. Tenez-vous toujours à côté de la lame de scie et ne placez jamais cette dernière dans l'axe de votre corps.** En cas de recul, la scie circulaire peut être projetée en arrière. Toutefois, l'utilisateur peut maîtriser la force du recul s'il a pris les mesures appropriées.
- **Si la lame de scie se coince ou que vous souhaitez interrompre votre travail, relâ-**

- chez l'interrupteur marche/arrêt et maintenez la scie dans le matériau jusqu'à ce qu'elle soit complètement immobile. Ne tentez jamais de sortir la scie de la pièce ou de la tirer vers l'arrière tant que la lame de scie est en mouvement. Ceci pourrait provoquer un recul.** Déterminez la cause du blocage de la lame de scie et prenez les mesures nécessaires pour y remédier.
- **Si vous souhaitez remettre en marche une scie enfoncée dans la pièce, centrez la lame de scie dans la fente de coupe et vérifiez que les dents de la scie ne se sont pas accrochées dans la pièce.** Si la lame de scie est bloquée, il est possible qu'elle sorte de la pièce ou provoque un recul au redémarrage de la scie.
 - **Placez des appuis sous les panneaux de grande taille afin de réduire le risque de blocage de la lame de scie et de recul.** Les panneaux de grande taille peuvent fléchir sous leur propre poids. Les panneaux doivent être soutenus des deux côtés, près de la fente de coupe tout comme sur les bords.
 - **N'utilisez pas de lames de scie émoussées ou endommagées.** En raison d'une fente de coupe trop étroite, les lames de scie dont les dents sont émoussées ou tordues provoquent une friction plus importante, un blocage de la lame de scie et un recul.
 - **Avant le sciage, serrez les éléments de réglage de la profondeur et de l'angle de coupe.** En cas de changement des réglages pendant le sciage, la lame de scie peut se bloquer et provoquer un recul.
 - **Soyez particulièrement prudent lors des coupes plongeantes dans des parois ou d'autres zones sans visibilité.** Lors du sciage, la lame de scie peut se bloquer dans des objets invisibles et provoquer un recul.

Fonctions du capot de protection

- **Avant chaque utilisation, vérifiez que le capot de protection se ferme parfaitement. N'utilisez pas la scie si le capot de protection est gêné dans son mouvement et ne se ferme pas instantanément. Veillez à ne jamais bloquer ou attacher le capot de protection. Sinon, la lame de scie n'est plus protégée.** Si la scie tombe par accident sur le sol, le capot de protection risque de se déformer. Assurez-vous que le capot de protection n'est pas gêné dans

- son mouvement et qu'il ne touche ni la lame de scie ni d'autres pièces quels que soient l'angle et la profondeur de coupe.
- **Vérifiez l'état et le fonctionnement des ressorts du capot de protection. Si le capot de protection et les ressorts ne fonctionnent pas parfaitement, faites réparer l'appareil.** Les pièces endommagées, les dépôts collants et les accumulations de copeaux ralentissent le fonctionnement du capot de protection.
 - **Pour les coupes plongeantes qui ne sont effectuées à angle droit, fixez la plaque de base de la scie de manière à empêcher tout mouvement.** Un déplacement latéral peut provoquer un blocage de la lame de scie et, par conséquent, un recul.
 - **Ne posez pas la scie sur l'établi ou sur le sol sans que le capot de protection ne recouvre la lame de scie.** Une lame de scie non protégée ou encore en phase de ralentissement déplace la scie dans le sens inverse du sens de coupe et scie tout ce qui se trouve sur son chemin. Il est donc indispensable de tenir compte de la durée de ralentissement de la scie avant l'arrêt complet.

Fonction du sabot de guidage [5-4]

- a. **Utilisez la lame de scie adaptée pour le sabot de guidage.** Pour que le sabot de guidage puisse fonctionner, la lame de base de la lame de scie doit être plus mince que le sabot de guidage et la largeur de dent doit être supérieure à l'épaisseur du sabot de guidage.
- b. **N'utilisez pas la scie avec un sabot de guidage déformé.** La moindre perturbation peut ralentir la fermeture du capot de protection.

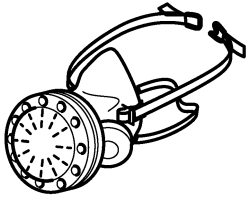
3.3 La poussière, un risque pour la santé



AVERTISSEMENT! certaines poussières créées par le ponçage mécanique, le sciage, le meulage, le perçage et autres activités reliées à la construction contiennent des substances chimiques connues (dans l'État de la Californie) comme pouvant causer le cancer, des anomalies congénitales ou représenter d'autres dangers pour la reproduction. Voici quelques exemples de telles substances:

- plomb provenant de peintures à base de plomb,
- silice cristallisée utilisée dans les briques, le ciment et autres matériaux de maçonnerie, et

- arsenic et chrome du bois d'oeuvre traité avec un produit chimique.



Le risque d'exposition à de tels produits varie selon la fréquence à laquelle vous faites ce genre de travail. Pour réduire les risques d'ex-

position à ces substances chimiques : travaillez dans un endroit adéquatement ventilé et utilisez un équipement de sécurité approuvé, tel que masques antipoussières spécialement conçus pour filtrer les particules microscopiques.



AVERTISSEMENT

POUR RÉDUIRE LE RISQUE DE DOMMAGES, L'UTILISATEUR DOIT LIRE LE MANUEL D'INSTRUCTION.

4 Caractéristiques techniques

| | |
|--|---|
| Scie circulaire à main | TS 55 REQ |
| Puissance | 1200 W |
| Vitesse (vitesse de rotation à vide) | 2000 - 5800 tr/mn |
| Position inclinée | -1° to 47° |
| Profondeur de coupe à 0° | 0 - 2-1/8" (0 - 55 mm) |
| Profondeur de coupe à 45° | 0 - 1-11/16" (0 - 43 mm) |
| Dimension lame de scie | 6-1/4" x 3/32 x 25/32" (160x2.2x20 mm) |
| Poids (sans cordon d'alimentation) selon la procédure EPTA 01:2014 | 9.92 lbs (4.5 kg) |

5 Description fonctionnelle

Des éléments fournis sont disponibles sur le volet qui se trouve au début de cette notice d'utilisation. Vous pouvez ainsi déplier cette page et visualiser en permanence les différentes parties de l'outil lorsque vous lisez la notice.

- [1-1] Touches de réglage
- [1-2] Échelle angulaire
- [1-3] Boutons de blocage pour réglage angulaire
- [1-4] Poignées
- [1-5] Levier pour changement d'outil
- [1-6] Dispositif de marche forcée
- [1-7] Interrupteur de marche/arrêt
- [1-8] Raccord d'aspiration
- [1-9] Déverrouillage des contre-dépouilles -1° à 47°
- [1-10] Régulation de la vitesse
- [1-11] Câble de raccordement secteur

- [1-12] échelle graduée en deux parties pour butée de profondeur de coupe (avec/sans rail de guidage)
- [1-13] Vis de réglage de la profondeur de coupe pour lames de scie poncées ultérieurement
- [1-14] Butée de profondeur de coupe
- [1-15] Indicateur de coupe
- [1-16] Fenêtre d'inspection/ protecteur contre les projections de copeaux
- [1-17] Pare-éclats

6 Utilisation conforme

Les scies plongeantes sont conçues pour scier le bois et matériaux similaires, les matières fibreuses à liant plâtre et à liant ciment ainsi que les plastiques. Les lames de scies spéciales pour l'aluminium proposées par Festool permettent d'utiliser également les machines pour scier l'aluminium.

Seules des lames de scie conformes aux caractéristiques suivantes sont autorisées :


- Lames de scie selon EN 847-1
- Diamètre de lame de scie 6-1/4" (160 mm)

- Largeur de coupe 3/32" (2.2 mm)
- Trou de fixation 25/32" (20 mm)
- Épaisseur max. de lame de base 1/16" (1.8 mm)
- Conçues pour une vitesse maximale de 9500 tr/min

N'utilisez pas de disques abrasifs.

Cet outil électroportatif doit uniquement être utilisé par des personnes qualifiées ou ayant reçu les informations et instructions nécessaires.

Les outils électroportatifs Festool doivent uniquement être montés sur des tables de travail prévues à cette fin par Festool. Le montage sur d'autres tables de travail ou des tables fabriquées par l'utilisateur peut compromettre la sécurité de fonctionnement de l'outil électroportatif et provoquer de graves accidents.

 L'utilisateur est responsable des dommages et accidents provoqués par une utilisation non conforme.

7 Mise en service



AVERTISSEMENT

Tension ou fréquence non admissible !

Risque d'accident

- La tension et la fréquence d'alimentation électrique doivent être conformes aux indications de la plaque signalétique.
- En Amérique du nord, utiliser uniquement les machines Festool fonctionnant sous une tension de 120 V/60 Hz.




ATTENTION

Échauffement du raccord plug-it si le raccord à baïonnette n'est pas complètement verrouillé

Risque de brûlures

- Avant de mettre en marche l'outil électroportatif, assurez-vous que le raccord à baïonnette sur le câble de raccordement secteur est complètement fermé et verrouillé.

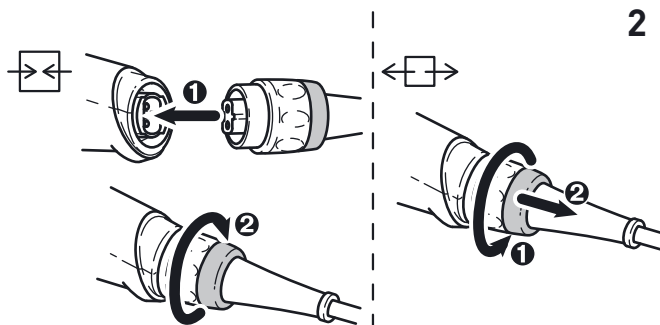
 Toujours éteindre la machine avant de brancher ou débrancher le câble de raccordement secteur !

Branchement et débranchement du câble de raccordement secteur **[1-11]**, voir figure **[2]**.



Poussez le bouton de sécurité anti-déclenchement **[1-6]** vers le haut et appuyez sur l'interrupteur marche/arrêt **[1-7]** (pression = marche, relâchement = arrêt).

À l'actionnement du bouton de sécurité anti-déclenchement, le dispositif de plongée est déverrouillé. Le bloc de sciage peut être déplacé vers le bas. Lors du déplacement, la lame de scie sort du capot de protection.



7.1 Rallonge

S'il est nécessaire d'utiliser une rallonge, celle-ci doit présenter une section suffisante pour éviter une perte de tension excessive ou une surchauffe. Une perte de tension excessive réduit la puissance et peut provoquer la défaillance du moteur. Le tableau ci-dessous indique le diamètre de câble approprié en fonction de la longueur de câble pour cet outil.

Tab. 7.1 : Taille de câble en AWG

| Intensité nominale de l'outil | Longueur de câble en pieds | | | |
|-------------------------------|----------------------------|----|-----|-----|
| | 25 | 50 | 100 | 150 |
| 3-6 | 18 | 16 | 16 | 14 |
| 6-8 | 18 | 16 | 14 | 12 |
| 8-10 | 18 | 16 | 14 | 12 |
| 10-12 | 16 | 16 | 14 | 12 |
| 12-16 | 14 | 12 | - | - |

Tab. 7.2 : Taille de câble en mm²

| Intensité nominale de l'outil | Longueur de câble en mètres | | | |
|-------------------------------|-----------------------------|------|-----|-----|
| | 15 | 30 | 60 | 120 |
| 3-6 | 0,75 | 0,75 | 1,5 | 2,5 |
| 6-8 | 0,75 | 1,0 | 2,5 | 4,0 |
| 8-10 | 0,75 | 1,0 | 2,5 | 4,0 |

| Intensité nominale de l'outil | Longueur de câble en mètres | | | |
|-------------------------------|-----------------------------|-----|-----|---|
| | 1,0 | 2,5 | 4,0 | - |
| 10-12 | 1,0 | 2,5 | 4,0 | - |
| 12-16 | - | - | - | - |

Utiliser uniquement des rallonges homologuées U.L. et CSA.

Ne jamais utiliser deux rallonges ensemble. Au lieu de cela, utiliser une rallonge plus longue.



Plus la valeur AWG est faible, plus le diamètre du câble est élevé.

8 Réglages



AVERTISSEMENT

Risque de blessures, décharge électrique

- Débrancher la fiche de la prise de courant avant toute intervention sur la machine !

8.1 Électronique

La machine dispose d'un système électronique à ondes pleines avec les propriétés suivantes :

Démarrage progressif

Le démarrage progressif à régulation électronique assure un démarrage sans à-coups de l'outil électroportatif.

Vitesse constante

Le système électronique maintient le régime du moteur à un niveau constant. La vitesse de coupe reste donc stable, même lorsque l'appareil est fortement sollicité.

Régulation de la vitesse

La molette [1-10] permet un réglage progressif dans la plage de vitesse (voir Caractéristiques techniques). Vous pouvez ainsi adapter de manière optimale la vitesse à la surface concernée (voir tableau).

| Matériau | Position de vitesse |
|-----------|---|
| | Bois massif (dur, mou) 6 |
| | Panneaux de particules et de fibres dures 3-6 |
| | Bois stratifié, panneaux lattés, panneaux contreplaqués et stratifiés 6 |
| | Plastiques, plastiques renforcés aux fibres de verre, papier et tissu 3-5 |
| | Verre acrylique 4-5 |
| | |
| | Panneaux de fibres à liant plâtre et à liant ciment 1-3 |
| | |
| Al | Plaques en aluminium et profilés en aluminium, 15 mm max. 4-6 |

Fusible thermique

En cas de température excessive du moteur, l'alimentation électrique et la vitesse sont réduites. L'outil électroportatif fonctionne à puissance réduite afin de permettre un refroidissement rapide grâce à la ventilation du moteur. Après refroidissement, l'outil électroportatif redémarre automatiquement.

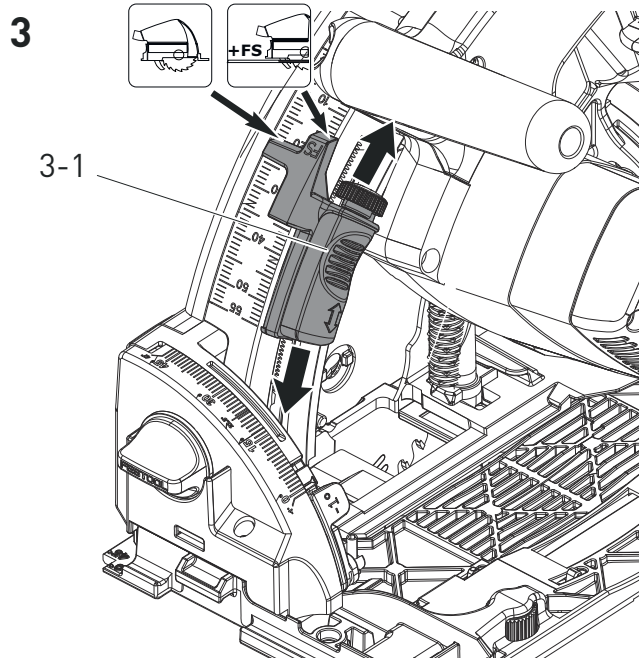
Limitation de courant

La limitation de courant empêche une consommation électrique excessive en cas de très forte surcharge, susceptible d'entraîner une baisse de régime du moteur. Dès la disparition de la surcharge, le moteur se remet en route.

8.2 Régler la profondeur de coupe

La profondeur de coupe se règle de 0 à 2-1/8" (55 mm) sur la butée de profondeur de coupe [3-1]:

Le bloc de sciage ne peut être enfoncé vers le bas que jusqu'à la profondeur de coupe réglée.



Profondeur de coupe sans rail de guidage
2-1/8" (55 mm) max.



Profondeur de coupe avec rail de guidage FS
1-15/16" (51 mm) max

8.3 Régler l'angle de coupe sur une plage de 0° à 45°:

- ▶ Desserrez les boutons rotatifs [4-1].
- ▶ Basculez le bloc de sciage jusqu'à l'angle de coupe souhaité [4-2].
- ▶ Serrez les boutons rotatifs [4-1].



Les deux positions (0° et 45°) sont réglées en usine et peuvent être réajustées par le service après-vente.



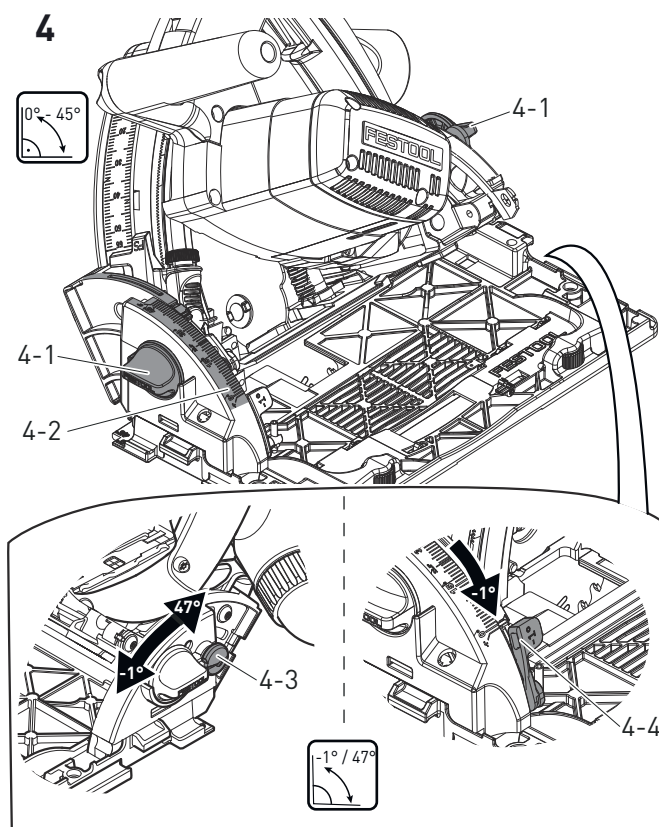
Lors des coupes en biais, placez la fenêtre d'inspection/le pare-éclats en position supérieure !

Pour contre-dépouille de -1° et 47° :

- ▶ Basculez le bloc de sciage en position finale (0°/45°) comme décrit ci-dessus.
- ▶ Tirez légèrement l'élément de déverrouillage [4-3].
- ▶ Pour la contre-dépouille de -1°, tirez également l'élément de déverrouillage [4-4].

Le bloc de sciage passe en position -1°/47°.

- ▶ Serrez les boutons rotatifs [4-1].



8.4 Lame de scie



AVERTISSEMENT

Lames de scie fissurées ou dont la forme est modifiée

Risques de blessures



- ▶ Vérifiez régulièrement si la lame de scie est encore en parfait état et remplace immédiatement.

Respectez absolument les conseils suivants pour le choix des lames de scie:

- N'utilisez pas de lames de scie en acier rapide fortement allié (lames de scie en HSS), car elles présentent un risque recul.
- Utilisez exclusivement des lames de scie de diamètre extérieur de 6-1/4" (160 mm).
- Le diamètre d'alésage du support de lame doit mesurer 25/32" (20 mm).
- Utilisez uniquement des lames de scie dont l'épaisseur du corps de base ne dépasse pas 1/16" (1.8 mm) et dont la largeur de coupe est comprise entre 3/32" (2.2 mm) et 1/8" (3.0 mm).

La scie TS 55 REQ a été testée avec les lames de scie présentées dans le catalogue Festool. Pour votre propre sécurité, nous vous recommandons d'utiliser exclusivement ces lames.

8.5 Remplacement de la lame de scie





ATTENTION

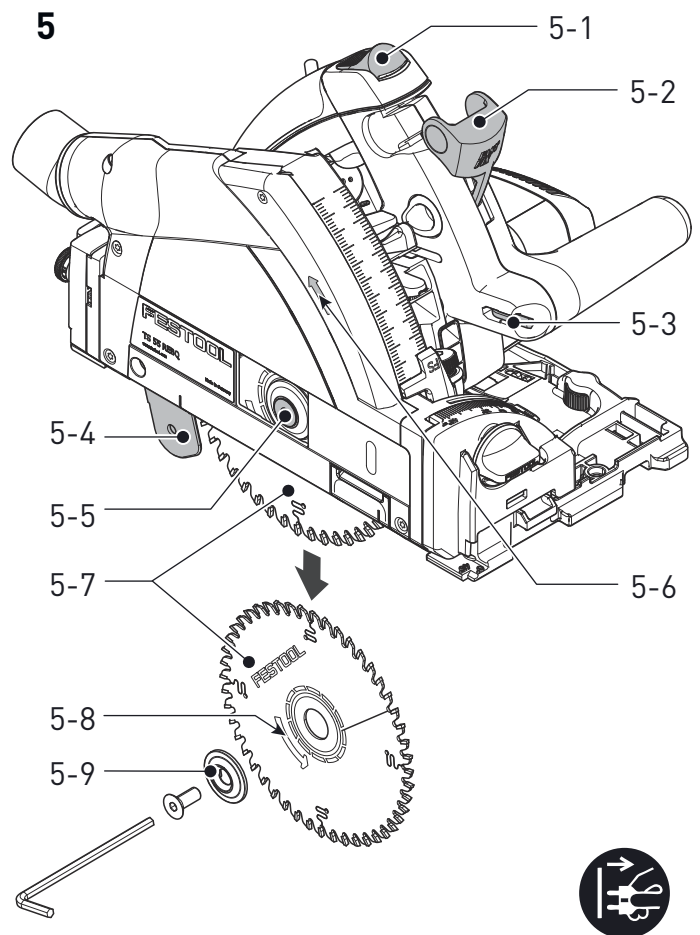
Risque de blessures dû à l'outil chaud et tranchant

- ▶ Ne pas monter d'outils émoussés ou défectueux.
- ▶ Porter des gants de protection.

- ▶ Avant le remplacement de la lame de scie, basculez la machine en position 0° et réglez-la sur la profondeur de coupe maximale.
- ▶ Rabattez le levier **[5-2]** jusqu'en butée.
- ▶ Poussez le bouton de sécurité anti-déclenchement **[5-1]** vers le haut et abaissez le bloc de sciage jusqu'à ce qu'il s'enclenche.
- ▶ Desserrez la vis **[5-5]** avec la clé Allen **[5-3]**.
- ▶ Retirez la lame de scie **[5-7]**.
- ▶ Insérez une nouvelle lame de scie.

 La lame de scie **[5-8]** et la machine **[5-6]** doivent avoir le même sens de rotation !

- ▶ Insérez la bride extérieure **[5-9]** de sorte que l'ergot d'entraînement s'accroche dans l'évidement de la bride intérieure.
- ▶ Serrez la vis **[5-5]**.
- ▶ Remettez le levier **[5-2]** à sa position d'origine.





8.6 Monter la fenêtre d'inspection/ le pare-éclats [6]

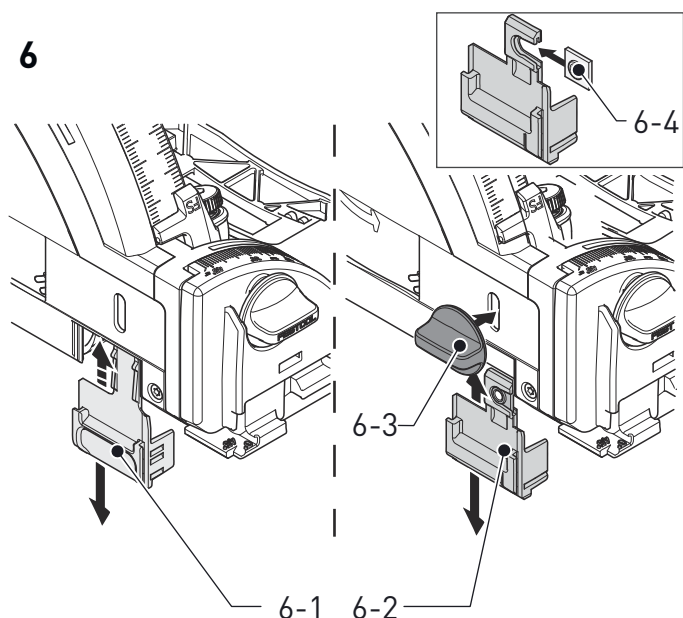
La **fenêtre d'inspection** (transparente) **[6-1]** permet de voir la lame de scie et optimise l'aspiration des poussières.

Lors des coupes à 0°, le **pare-éclats** (vert) **[6-2]** améliore en outre la qualité de l'arête de coupe sur la face supérieure de la pièce sciée.

- ▶ Installez le pare-éclats **[6-2]**.
- ▶ Vissez le bouton rotatif **[6-3]** dans le pare-éclats par le trou oblong.

 Veillez à ce que l'écrou **[6-4]** soit solidement fixé dans le pare-éclats.

 **Utilisez uniquement le bouton rotatif fourni avec votre scie plongeante.** Le bouton rotatif d'une autre scie peut être trop long et bloquer la lame de scie.



Avant la première utilisation, il est nécessaire de scier le pare-éclats :

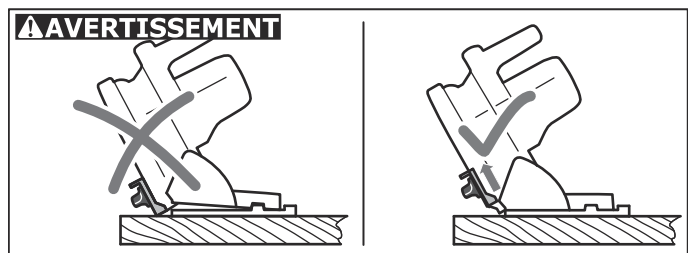
- ▶ Réglez la machine sur la profondeur de coupe maximale.
- ▶ Réglez la vitesse de la machine sur le niveau 6.

⚠ AVERTISSEMENT

Ce dernier risque de soulever la scie circulaire de la pièce et de provoquer des blessures graves.

Risques de blessures

- ▶ Pour les coupes en biais, enlevez toujours la fenêtre d'inspection/ le pare-éclats.



8.7 Aspiration

⚠ **👤** **AVERTISSEMENT**

Risques pour la santé dus aux poussières

- ▶ Ne jamais travailler sans aspiration.
- ▶ Respecter les dispositions nationales.
- ▶ Porter une protection respiratoire !

Le raccord d'aspiration [1-8] permet de raccorder un aspirateur Festool équipé d'un tuyau de 1-1/16" ou 1-7/16" (27 ou 36 mm) de diamètre (conseil : un tuyau de 36 mm de diamètre réduit le risque de colmatage).

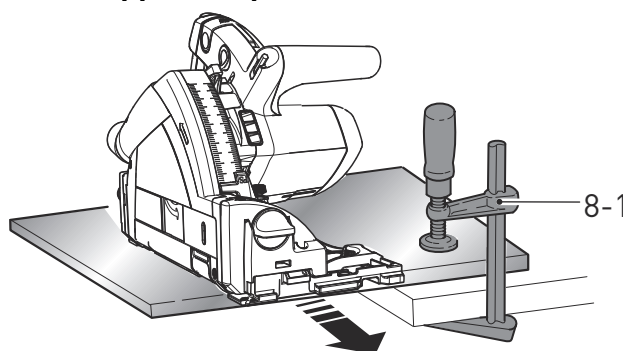
9 Travail avec la machine

⚠ Lors des travaux, observez toutes les consignes de sécurité indiquées en introduction ainsi que les règles suivantes :

- Vérifiez avant chaque utilisation le fonctionnement du dispositif de montage et utilisez la machine uniquement si elle fonctionne correctement.
- En travaillant, tenez toujours la machine des deux mains, au niveau des poignées [1-4]. Cela diminue les risques de blessures et permet de travailler avec précision.
- En sélectionnant une vitesse d'avance adaptée, évitez une surchauffe des arêtes de coupe de la lame de scie et, dans le cas de coupes de matières plastiques, une fusion du plastique.
- Assurez-vous avant le début des travaux que tous les boutons de blocage [4-1] sont serrés.
- Après l'arrêt de la machine, la lame de scie tourne encore quelque temps. Attention de ne pas toucher la lame de scie avec une partie du corps pendant qu'elle décélère!
- Ne travaillez pas avec la machine lorsque l'électronique est défectueuse, sous peine d'occasionner des vitesses excessives. Vous reconnaissez une électronique défectueuse à l'absence de démarrage progressif ou lorsqu'aucune régulation de vitesse n'est possible.

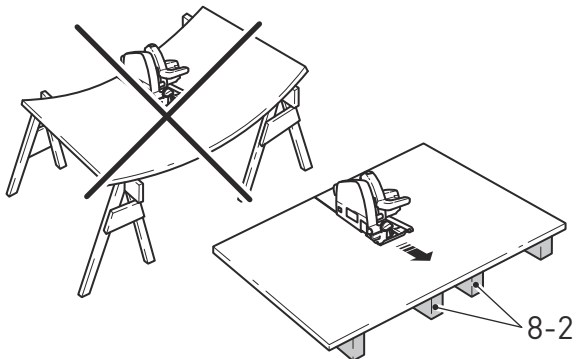
👤 Utilisez un masque pour les travaux dégageant de la poussière.

9.1 Appui des pièces



Veillez à ce que vos pièces reposent en toute sécurité et qu'elles ne puissent pas bouger pendant le sciage. Vous vous exposez sinon à de graves risques d'accident. Ne tenez jamais la pièce à scier dans les mains ou sur vos jambes. Utilisez bien plutôt des serre-joints [8-1] ou d'autres équipements appropriés pour fixer votre pièce.

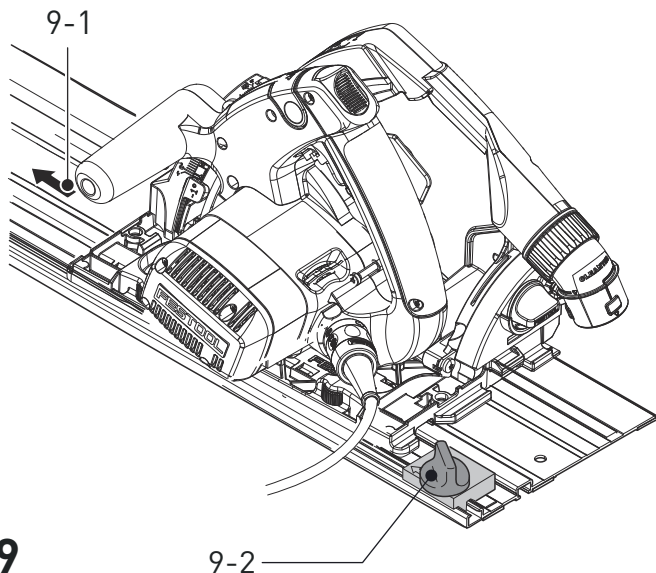
Ne posez jamais de grandes et longues pièces de telle manière qu'elles fléchissent au milieu ou à l'emplacement de la coupe. Vous risquez sinon de coincer la lame de scie et de provoquer un contrecoup. Calez plutôt la pièce avec plusieurs baguettes de bois **[8-2]**, notamment à proximité de l'emplacement de la coupe.



9.2 Travaux de sciage

⚠ AVERTISSEMENT Avant de commencer la coupe, la machine doit avoir atteint sa pleine vitesse et doit seulement être coupée après la fin de la coupe.

⚠ AVERTISSEMENT Sciez uniquement en sens op-posé (poussez la scie circulaire vers l'avant, **[9-1]** jamais dans le même sens (en tirant la scie en arrière). Le sciage dans le même sens risque de faire sortir la scie de la fente de coupe (contrecoup) et peut provoquer de graves blessures.

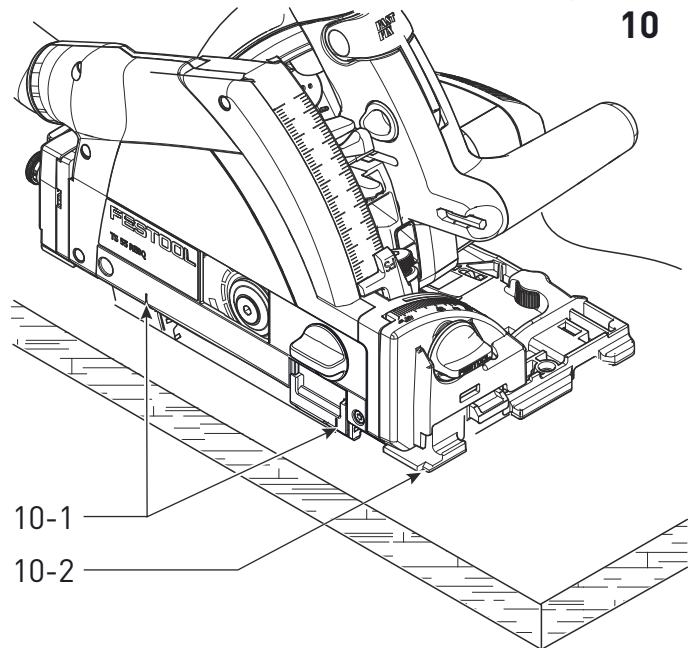


9

A) Sciage de coupes

- ▶ Placez la partie avant de la table de scie sur la pièce. L'affichage de coupe **[10-2]** indique le déroulement de coupe en pas de 0° et 45° (sans rail de guidage).
- ▶ Mettez la machine en marche et enfoncez la scie à la profondeur de coupe réglée.

- ▶ Poussez la machine vers l'avant dans le sens de la coupe. Veillez à ce que la table de scie repose toujours fortement sur la pièce.
- ▶ Arrêtez la machine à la fin de la coupe.



10

B) Réalisation de découpes (coupes plongeantes)

⚠ AVERTISSEMENT Pour éviter des chocs en arrière, il est impératif de suivre les remarques suivantes pour les coupes plongeantes :

- Placez toujours l'outil avec l'arête arrière de la table de sciage contre une butée fixe.
- Pour travailler avec le rail de guidage, placez l'outil contre la butée anti-recul FS-RSP (accessoires) **[9-2]** fixée sur le rail de guidage.
- Tenir la machine en toute sécurité avec les deux mains et la faire plonger seulement lentement.

Procédure

- ▶ Posez l'outil sur la pièce à travailler et placez-la sur une butée (blocage de chocs en arrière).
- ▶ Mettez la machine en marche.
- ▶ Baissez lentement l'outil à la profondeur de coupe réglée et placez-le dans la direction de coupe.

*Les marquages **[10-1]** indiquent le point de coupe le plus en avant et le plus en arrière de la lame de scie (Ø 160 mm) pour une profondeur de coupe maximale et en utilisant le rail de guidage.*

C) Sciage de l'aluminium

⚠ AVERTISSEMENT Pour des raisons de sécurité, respecter les mesures suivantes dans le cas du traitement de l'aluminium:

- Installer un commutateur de sécurité à courant de défaut (FI).
- Raccorder l'outil à un aspirateur approprié.
- Nettoyer régulièrement l'outil et enlever les dépôts de poussière dans le carter du moteur et le capot de protection.
- L'aluminium doit uniquement être scié avec les lames de scie spéciales prévues par Festool.
- Fermez la fenêtre d'inspection/ le protecteur contre les projections de copeaux.



Porter des lunettes de protection.

- Pour scier des panneaux, la lame doit être graissée avec de la graisse de pétrole, des profils aux parois minces (1/8" (3 mm) maxi.) peuvent être traités sans graissage.

D) Panneaux de fibres à liant plâtre et à liant ciment

En raison de la quantité élevée de poussières, nous vous recommandons d'utiliser le couvercle ABSA-TS55 (accessoires) monté latéralement sur le capot de protection.

10 Maintenance et entretien



AVERTISSEMENT

Tout travail de maintenance ou de réparation, qui nécessite l'ouverture du moteur ou du carter d'engrenages doit uniquement être effectué par un centre service-client autorisé (nom fourni par votre revendeur) !

- Les travaux de maintenance ou de réparation effectués par un personnel non autorisé peuvent conduire à la mauvaise connexion de câbles d'alimentation ou d'autres composants, ce qui peut entraîner à son tour des accidents avec des conséquences graves.



AVERTISSEMENT

Pour éviter les accidents, retirez toujours la fiche mâle de la prise d'alimentation électrique avant d'effectuer tout travail de maintenance ou de réparation sur la machine !

- N'utilisez pas d'air comprimé pour nettoyer l'outil électrique ! N'essayez pas de nettoyer des parties à l'intérieur de la machine de cette façon, étant donné que des corps étrangers pourraient pénétrer dans les ouvertures du carter de la machine.



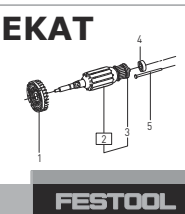
ATTENTION

Certains produits nettoyants et solvants sont nocifs pour les pièces en plastique.

- Quelques exemples de produit nocif : essence, acétone, méthyléthylcétone (MEK), chlorure de carbonyle, solutions nettoyantes contenant du chlore, de l'ammoniac et les produits ménagers contenant de l'ammoniac.



Service après-vente et réparation uniquement par le fabricant ou des ateliers de service après-vente. Pour trouver l'adresse la plus proche : www.festool.fr/services



Utiliser uniquement des pièces détachées Festool d'origine !
Réf. sur : www.festoolusa.com/service

La machine est équipée de charbons spéciaux à coupure automatique. Lorsqu'ils sont usés, le courant est automatiquement interrompu et la machine s'arrête.


Apportez dans ce cas votre scie dans un atelier de service après-vente agréé qui se chargera de remplacer les charbons.

Respecter les consignes suivantes:

- Pour garantir la circulation de l'air, les ouïes de ventilation sur le boîtier doivent toujours rester propres et dégagées.
- Nettoyer tous les orifices avec un aspirateur afin de retirer les copeaux et les éclats de bois de l'outil électroportatif.
- Sauf indication contraire dans la notice d'utilisation, les dispositifs de protection et pièces endommagés doivent être réparés

ou remplacés dans les règles de l'art par un atelier spécialisé agréé.

- ▶ En cas d'utilisation sur des panneaux de fibres à liant plâtre et à liant ciment, nettoyer très soigneusement l'appareil. Nettoyez les ouvertures de ventilation de l'outil électroportatif et de l'interrupteur marche/arrêt avec de l'air comprimé sec et sans huile. Sinon, de la poussière contenant du plâtre peut se déposer dans le boîtier de l'outil électroportatif de même que sur l'interrupteur marche/arrêt, puis durcir sous l'effet de l'humidité de l'air. Ceci peut compromettre le bon fonctionnement du mécanisme de commutation
- ▶ Vérifier que les avertissements figurant sur l'outil électroportatif sont lisibles et au complet. Remplacer les avertissements manquants ou illisibles.

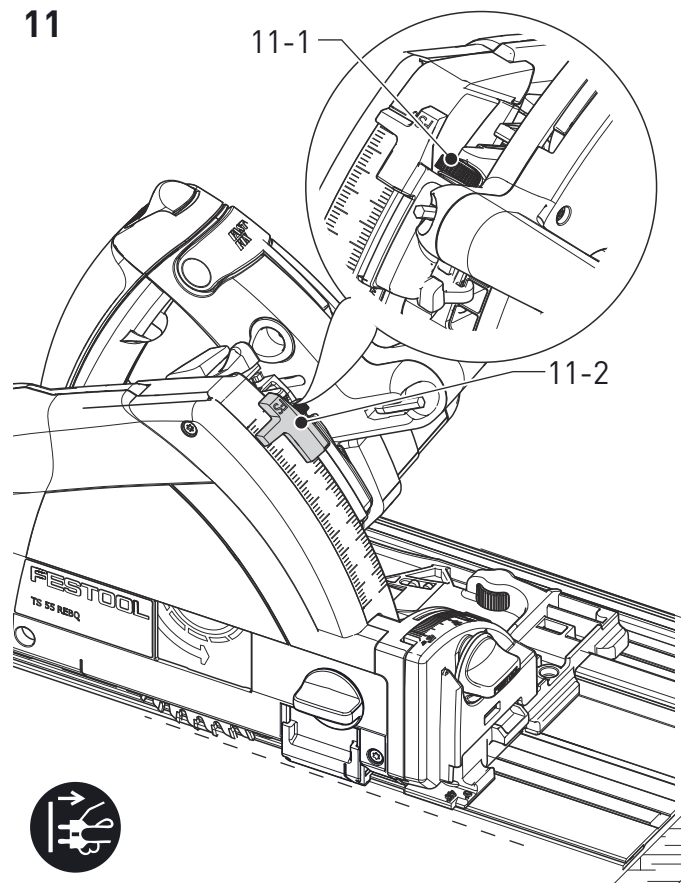
 Le mécanisme plongeant doit toujours pouvoir se déplacer correctement et revenir automatiquement à la position de départ. Veiller à ce que la zone autour du dispositif de sécurité/du capot protecteur soit toujours propre. Retirer la poussière et les copeaux avec de l'air comprimé ou au moyen d'une brosse.

Lorsque vous soulevez la machine de la pièce, elle revient automatiquement par ressort dans sa position initiale, la lame de scie retourne dans le capot de protection, le bouton de mise en marche et de déverrouillage encliquette à nouveau. Si ce dispositif ne fonctionne plus, vous ne devez plus utiliser la scie circulaire, mais vous devez la faire réparer immédiatement par un atelier de service après-vente agréé.

Le sabot de guidage doit être aligné avec la lame de scie et ne doit pas être voilé. Un sabot de guidage défectueux doit être immédiatement remplacé. Ne travaillez en aucun cas sans sabot de guidage à cause des graves risques de contrecoups.

Même si vous utilisez correctement la scie, les arêtes de coupe de la lame de scie s'émoussent à la longue. Remplacez la lame de scie dès que vous constatez que vous devez appliquer une force plus grande pour le sciage ou que la qualité de coupe se dégrade. Faites affûter les lames de scie émoussées dans un atelier de service après-vente agréé. Démontez vos lames de scie si vous voulez en éliminer la résine et le bois. Utilisez du kérosène pour nettoyer les lames de scie.


10.1 Lames de scie poncées ultérieurement



La profondeur de coupe des lames de scie poncées ultérieurement se règle de façon précise à l'aide de la vis de réglage **[11-1]**.

- ▶ Réglez la butée de profondeur de coupe **[11-2]** sur 0 mm (avec rail de guidage).
- ▶ Déverrouillez et baissez le bloc de sciage jusqu'en butée.
- ▶ Vissez la vis de réglage **[11-1]** jusqu'à ce que la lame de scie soit en contact avec la pièce.

10.2 La table de sciage n'est pas stable

 Lors du réglage de l'angle de coupe, la table de sciage doit reposer sur une surface plane.

Si la table de sciage n'est pas stable, le réglage doit être recommencé (**chapitre 8.3**).

11 Accessoires

Utilisez uniquement les accessoires Festool et consommables Festool d'origine prévus pour cette machine, car ces composants systèmes sont parfaitement adaptés les uns par rapport aux autres. Si vous utilisez des accessoires et consommables d'autres marques, la qualité du résultat peut être dégradée et les recours en garantie peuvent être soumis à des restrictions. L'usure de la machine ou votre charge person-

nelle peuvent augmenter selon chaque application. Pour cette raison, protégez-vous, votre machine et vos droits à la garantie en utilisant exclusivement des accessoires Festool et des consommables Festool d'origine !

Les références des accessoires et des outils figurent dans le catalogue Festool ou sur Internet "www.festoolusa.com".

11.1 Lames de scie, autres accessoires

Afin de pouvoir découper rapidement et proprement différents matériaux, Festool vous propose des lames de scie spécialement adaptées à votre scie circulaire à main Festool et à tous les cas d'utilisation.

11.2 Guide parallèle, élargisseur de table

Il est possible d'utiliser un guide parallèle pour des largeurs de coupes de 7-1/16" (180 mm) maxi. Le guide parallèle peut être également utilisé comme élargisseur de table.

11.3 Revêtement latéral, ajourage

Le recouvrement monté latéralement sur le capot de protection améliore l'efficacité de l'aspiration pour des coupes 0°.

Le recouvrement peut être utilisé parallèlement comme guide d'ajourage pour des largeurs d'ajourage à partir de 3/4" (18 mm).

11.4 Système de guidage

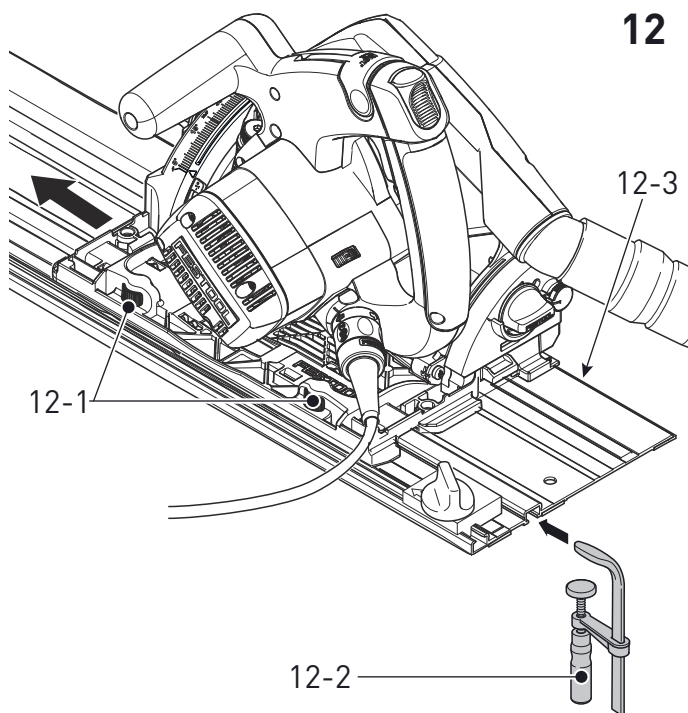
Le rail de guidage permet d'obtenir des coupes précises et nettes. De même, il protège la surface de la pièce contre les endommagements. Les nombreux accessoires ajoutés au système de guidage permettent d'effectuer des coupes en biais, des coupes d'onglet et des travaux d'ajustage exacts. La possibilité de fixation au moyen de serre-joints [12-2] garantit un maintien fixe et un travail en toute sécurité.

- ▶ Réglez le jeu de guidage de la table de sciage sur les rails de guidage avec les deux touches de réglage [12-1].

Avant la première utilisation du rail de guidage, effectuez une rainure dans le pare-éclats [12-3] :

- ▶ Réglez la vitesse de l'outil électrique sur le niveau 6.
- ▶ Placez l'outil électrique et l'ensemble de la platine de guidage à l'extrémité arrière du rail de guidage.
- ▶ Mettez l'outil électrique en marche.
- ▶ Appuyez l'outil électrique lentement vers le bas jusqu'à la profondeur de coupe max. réglée et sciez le pare-éclats sur toute la longueur sans arrêter.

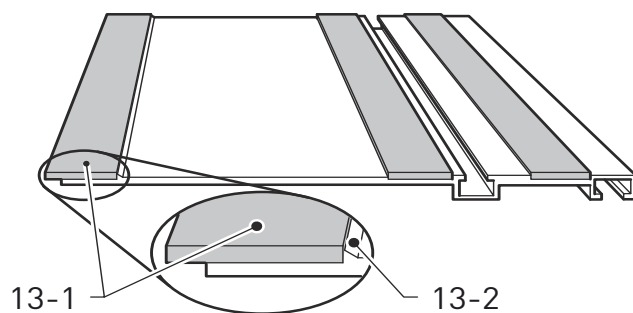
L'arête du pare-éclats correspond exactement à l'arête de coupe.



Tout pare-éclats endommagé ou usagé doit être remplacé :

- ▶ Retirer le pare-éclats d'origine [13-1] de la glissière de guidage.
- ▶ Si nécessaire, éliminer du rail de guidage les restes de colle et les restes de pare-éclats.
- ▶ Retirer la protection plastique de la bande de colle du nouveau pare-éclats.
- ▶ Positionner le nouveau pare-éclats avec précaution le long du bossage [13-2] du dessous de la glissière de guidage sans étirer le caoutchouc.
- ▶ Pressez le pare-éclats fermement contre la glissière de guidage.
- ▶ Coupez le pare-éclats à la bonne longueur, comme indiqué précédemment.

13




11.5 SYSTAINER


Systainer

De nombreux produits Festool sont fournis dans une caisse exclusive, appelée "Systainer". Celle-ci permet de protéger et de ranger des outils et des appareils complémentaires. Les Systainer sont empilables et peuvent être solidarisés. En outre, il se fixent sur les aspirateurs CT Festool.

Pour ouvrir le Systainer


 Tournez le T-loc **[SYS-b-1]** à cette position.

Pour fermer le Systainer


 Tournez le T-loc **[SYS-b-1]** à cette position.

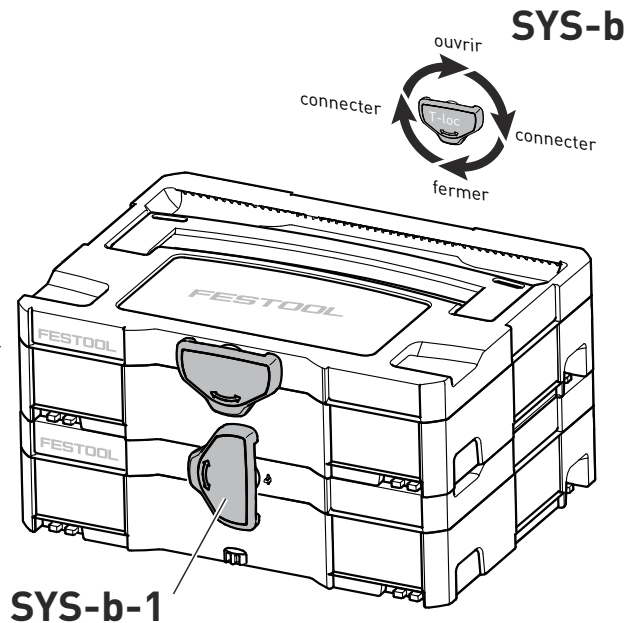
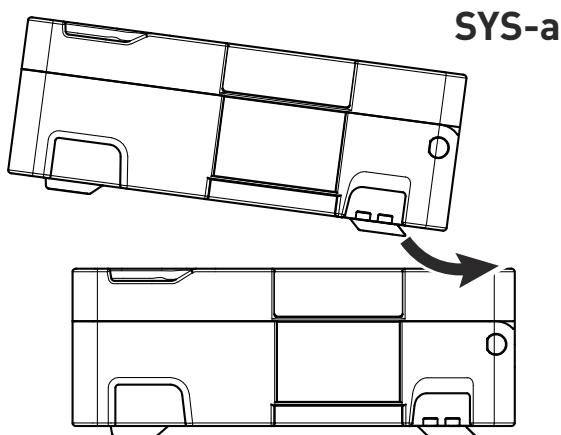
Pour connecter deux Systainers

Placez un Systainer au dessus de l'autre **[SYS-a]**.

 Tournez le T-loc **[SYS-b-1]** à une de cette positions (Fig. **[SYS-b]**).

Les Systainers sont combinés.

 Un Systainer de la nouvelle génération peut être attaché au dessus d'un Systainer de l'ancienne génération par les quatre loquets de l'ancien Systainer.



12 Environnement

Ne jetez pas l'appareil avec les ordures ménagères ! Éliminez l'appareil, les accessoires et les emballages de façon compatible avec l'environnement. Respectez les prescriptions nationales en vigueur.

13 Remarques générales

13.1 Informations relatives à la protection des données

L'outil électroportatif contient une puce permettant l'enregistrement automatique des données d'outil et de fonctionnement. Les données enregistrées ne contiennent aucune référence directe aux personnes.

Les données peuvent être lues sans contact à l'aide d'appareils spéciaux. Elles sont utilisées par Festool uniquement pour le diagnostic d'erreurs, la gestion des réparations et de la garantie, ainsi que pour l'amélioration de la qualité et/ou le perfectionnement de l'outil électroportatif. Toute utilisation des données dépassant ce cadre – sans l'accord exprès du client – est exclue.




Índice de contenidos

| | | |
|----|-----------------------------------|----|
| 1 | Sobre este manual..... | 36 |
| 2 | Símbolos..... | 36 |
| 3 | Indicaciones de seguridad..... | 37 |
| 4 | Datos técnicos..... | 41 |
| 5 | Descripción de las funciones..... | 41 |
| 6 | Uso conforme a lo previsto..... | 41 |
| 7 | Puesta en servicio..... | 42 |
| 8 | Ajustes..... | 42 |
| 9 | Trabajo con la máquina..... | 46 |
| 10 | Mantenimiento y limpieza..... | 47 |
| 11 | Accesorios..... | 49 |
| 12 | Medio ambiente..... | 51 |
| 13 | Observaciones generales..... | 51 |





1 Sobre este manual









Guarde estas instrucciones

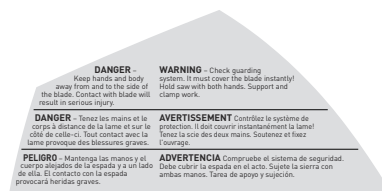
Es importante que usted lea y entienda este manual. La información que contiene se relaciona con la protección de **su seguridad y la prevención de problemas**. Los símbolos que siguen se utilizan para ayudarlo a reconocer esta información.

| | | |
|--|--------------------|---|
|  | PELIGRO | Descripción de peligro inminente y fracaso para evitar riesgos que podran causar la muerte. |
|  | ADVERTENCIA | Descripción de peligro y posibles lesiones resultantes o la muerte. |
|  | PRECAUCIÓN | Descripción de peligro y posibles lesiones resultantes. |
| | AVISO | Descripción de los posibles daños en el dispositivo o en su entorno. |

2 Símbolos

-  Aviso de peligro general
-  Peligro de electrocución
-  ¡Leer el manual de instrucciones y las indicaciones de seguridad!
-  Usar protección para los oídos

-  Utilizar guantes de protección
-  Utilizar protección respiratoria.
-  Utilizar gafas de protección
-  Desenchufar
-  Sentido de giro de la sierra y de la hoja de sierra
-  Guía de procedimiento
-  Consejo, indicación
-  Clase de protección II



PELIGRO Mantenga las manos y el cuerpo alejados de la espada y a un lado de ella. El contacto con la espada provocará heridas graves.

ADVERTENCIA Compruebe el sistema de seguridad. Debe cubrir la espada en el acto. Sujete la sierra con ambas manos. Tarea de apoyo y sujeción.

- W vatios
- V voltios
- A amperios
- Hz hertzios
- ~ a.c. tensión alterna
- d.c. tensión continua
- n₀ revoluciones por minuto en vacío
- rpm min⁻¹ revoluciones por minuto
- " pulgada
- lb. libras
- ∅ diámetro

3 Indicaciones de seguridad

3.1 Instrucciones generales de seguridad para herramientas eléctricas



¡ADVERTENCIA! Leer todas las indicaciones de seguridad, instrucciones, ilustraciones y datos técnicos que acompañan a esta herramienta eléctrica. Si no se cumplen debidamente las instrucciones siguientes, puede producirse una descarga eléctrica, quemaduras o lesiones graves.

Guarde todas las indicaciones de seguridad e instrucciones para que sirvan de futura referencia.

El término «herramienta eléctrica» empleado en las indicaciones de seguridad hace referencia a herramientas eléctricas conectadas a la red eléctrica (con un cable de red) o a herramientas eléctricas alimentadas con batería (sin cable de red).

1 SEGURIDAD EN EL LUGAR DE TRABAJO

- Mantenga su zona de trabajo limpia y bien iluminada.** El desorden o la falta de iluminación en las zonas de trabajo pueden dar lugar a accidentes.
- No trabaje con la herramienta eléctrica en entornos potencialmente explosivos donde se encuentren líquidos, gases o polvos inflamables.** Las herramientas eléctricas producen chispas que pueden inflamar el polvo o los vapores.
- Mantenga a los niños y otras personas alejados de la herramienta eléctrica durante el uso.** Si se distrae, puede perder el control de la herramienta.

2 SEGURIDAD ELÉCTRICA

- El conector de la herramienta eléctrica debe encajar en el enchufe. El conector no debe modificarse en modo alguno. No utilice conectores adaptadores con herramientas eléctricas con puesta a tierra.** Unos conectores intactos y unos enchufes adecuados reducen el riesgo de descarga eléctrica.
- Evite el contacto físico con superficies con puesta a tierra como las de tuberías, calefacciones, cocinas y frigoríficos.** Existe un riesgo elevado de descarga eléctrica si su cuerpo está en contacto con la tierra.
- Mantenga las herramientas eléctricas lejos de la lluvia y la humedad.** La penetración de agua en una herramienta eléctrica aumenta el riesgo de descarga eléctrica.

- No utilice el cable de conexión para transportar o colgar la herramienta eléctrica ni para extraer el conector del enchufe. Mantenga el cable de conexión alejado del calor, aceite, cantos afilados o piezas en movimiento.** Los cables de conexión dañados o enredados aumentan el riesgo de descarga eléctrica.
- Si trabaja con una herramienta eléctrica al aire libre, utilice únicamente alargadores aptos para el uso en exteriores.** El empleo de alargadores aptos para el uso en exteriores reduce el riesgo de descarga eléctrica.
- Cuando sea inevitable el uso de la herramienta eléctrica en un entorno húmedo, utilice un interruptor diferencial.** El uso de un interruptor diferencial reduce el riesgo de que se produzca una descarga eléctrica.

3 SEGURIDAD DE LAS PERSONAS

- Sea cuidadoso, preste atención a lo que está haciendo y actúe con prudencia al trabajar con herramientas eléctricas. No utilice ninguna herramienta eléctrica si está cansado o bajo los efectos de drogas, alcohol o medicamentos.** Una mínima distracción mientras está utilizando la herramienta eléctrica puede ocasionarle graves lesiones.
- Lleve puesto el equipamiento de protección personal y utilice gafas de protección en todo momento.** El empleo del equipamiento de protección personal como p. ej. mascarilla, guantes de seguridad antideslizantes, casco o protección de oídos, según el tipo y la aplicación de la herramienta eléctrica, reduce el riesgo de lesiones.
- Evite un arranque accidental de la herramienta. Asegúrese de que está desconectada antes de conectarla al suministro de corriente o la batería, recogerla o transportarla.** Existe peligro de accidente si transporta la herramienta eléctrica con el dedo sobre el interruptor o si conecta la herramienta encendida a la red.
- Retire las herramientas de ajuste y las llaves de tornillos antes de conectar la herramienta eléctrica.** Si una herramienta o llave se encuentra en una pieza en movimiento de la herramienta eléctrica, pueden producirse lesiones.
- Evite una postura anormal del cuerpo. Procure un apoyo seguro y mantenga el equilibrio en todo momento.** De esta ma-

- nera podrá controlar mejor la herramienta eléctrica en situaciones inesperadas.
- f. **Utilice ropa adecuada. No utilice ropa ancha ni objetos de joyería o bisutería. Mantenga el pelo y la ropa alejados de las piezas en movimiento.** La ropa holgada o el pelo largo pueden quedar atrapados por piezas en movimiento.
 - g. **Si se montan dispositivos de aspiración o recogida de polvo, estos deberán conectarse y utilizarse correctamente.** El empleo de un sistema de aspiración del polvo puede disminuir los peligros a causa del polvo.
 - h. **No se cree un falso sentido de la seguridad ni ignore las normas de seguridad de las herramientas eléctricas, ni siquiera si está muy familiarizado con el uso de la herramienta.** Una distracción durante el manejo puede derivar en graves lesiones en cuestión de pocas fracciones de segundo.

4 USO Y MANEJO DE LA HERRAMIENTA ELÉCTRICA

- a. **No sobrecargue la herramienta eléctrica. Utilice la herramienta eléctrica adecuada para el trabajo que va a realizar.** Con la herramienta apropiada trabajará mejor y más seguro en el rango de potencia especificado.
- b. **No utilice ninguna herramienta eléctrica cuyo interruptor esté defectuoso.** Una herramienta eléctrica que no se pueda conectar o desconectar resulta peligrosa y es necesario repararla.
- c. **Extraiga el conector del enchufe o retire la batería extraíble antes de efectuar los ajustes de la herramienta, cambiar piezas o guardar la herramienta eléctrica.** Esta medida de seguridad impide el arranque accidental de la herramienta eléctrica.
- d. **Mantenga las herramientas eléctricas que no esté utilizando fuera del alcance de los niños. No permita que la herramienta eléctrica sea utilizada por personas que no estén familiarizadas con ella o no hayan leído las presentes indicaciones.** Las herramientas eléctricas en manos inexpertas pueden ser peligrosas.
- e. **Trate las herramientas eléctricas y las herramientas intercambiables con cuidado. Compruebe si las partes móviles funcionan correctamente y no se atascan, y si hay piezas rotas o tan deterioradas que podrían mermar el funcionamiento de la**

herramienta eléctrica. Haga reparar las piezas deterioradas antes de usar la herramienta eléctrica. Muchos accidentes tienen su origen en un mantenimiento deficiente de las herramientas eléctricas.

- f. **Mantenga las herramientas cortantes limpias y afiladas.** Las herramientas cortantes bien cuidadas con aristas de corte afiladas se atascan menos y se guían más fácilmente.
- g. **Utilice la herramienta eléctrica, las herramientas intercambiables, etc., de acuerdo con estas instrucciones. Para ello, tenga en cuenta las condiciones de trabajo y la actividad que debe realizar.** El uso de herramientas eléctricas en aplicaciones diferentes a las previstas puede dar lugar a situaciones peligrosas.
- h. **Mantenga las superficies de agarre y los mangos secos, limpios y libres de aceite y grasa.** Un mango o unas superficies de agarre resbaladizos no permiten un manejo y control seguros de la herramienta eléctrica en situaciones imprevistas.

5 SERVICIO

- a. **Encargue la reparación de su herramienta eléctrica únicamente a personal técnico cualificado y solo con piezas de recambio originales. De esta forma queda garantizada la seguridad de la herramienta eléctrica.**
- b. **Utilice exclusivamente piezas originales para la reparación y el mantenimiento de la herramienta. El uso de accesorios o piezas de recambio no previstos puede producir descargas eléctricas o lesiones.**

3.2 Indicaciones de seguridad específicas




- **Es imprescindible utilizar los equipos de protección personal adecuados:** protección para los oídos, gafas de protección, mascarilla para trabajos que generen polvo, guantes de protección al trabajar con materiales rugosos y para cambiar de útil.
- Al trabajar puede generarse polvo perjudicial/tóxico (p. ej. polvo de madera o polvo de lana mineral). El contacto o la inhalación de este polvo puede suponer una amenaza para la persona que realiza el trabajo o para aquellas que se encuentren cerca. Observar las normativas de seguridad vigentes en el país de uso.



Por el bien de su salud debe utilizarse una mascarilla de protección respiratoria con filtro P2.

Procedimiento de corte

-  **¡PELIGRO! No introduzca las manos en la zona de serrado ni las acerque a la hoja de sierra. Sujete el mango adicional o la carcasa del motor con la mano que queda libre.** Si se sujeta la sierra circular con ambas manos, la hoja de sierra no podrá dañarlas.
- **No agarre la pieza de trabajo por debajo.** La caperuza de protección no puede protegerle de la hoja de sierra por debajo de la pieza de trabajo.
- **Ajuste la profundidad de corte según el grosor de la pieza de trabajo.** Por debajo de la pieza de trabajo debe quedar a la vista menos que una altura completa de diente.
- **Nunca sujete la pieza de trabajo que va a serrar con la mano o sobre la pierna. Fije la pieza de trabajo en un alojamiento estable.** Es muy importante fijar correctamente la pieza de trabajo para minimizar los riesgos de contacto con el cuerpo, los atascos de la hoja de sierra o la pérdida de control.
- **Al realizar trabajos en los que la herramienta pudiera entrar en contacto con cables eléctricos ocultos o con el propio cable de conexión, sujete la herramienta eléctrica por las superficies de agarre aisladas.** El contacto con una línea electrificada hace que las piezas metálicas de la herramienta eléctrica se vean sometidas a tensión y que se produzca una descarga eléctrica.
- **Utilice siempre un tope o una guía de canto recta cuando realice cortes longitudinales.** Esto mejora la precisión del corte y reduce las posibilidades de que la hoja de sierra se atasque.
- **Utilice siempre hojas de sierra con el debido tamaño y con un taladro de alojamiento adecuado (p. ej. romboidal o redondo).** Las hojas de sierra no compatibles con las piezas de montaje de la sierra tienen una marcha descentrada y causan pérdida de control.
- **Nunca utilice bridas tensoras o tornillos de hojas de sierra dañados o incorrectos.** Las bridas tensoras y los tornillos de hojas de sierra han sido fabricados especialmente para su sierra con el propósito de obte-

ner un rendimiento y una seguridad de servicio óptimos.

Contragolpe: causas e indicaciones de seguridad al respecto

- Un contragolpe es una reacción inesperada de una hoja de sierra que se engancha, se bloquea o se ha alineado incorrectamente, lo cual puede producir que la sierra se salga de la pieza de trabajo de manera descontrolada y se desvíe hacia el operario;
- la hoja de sierra se bloquea al engancharse o atascarse en la ranura de serrado que se va estrechando y la fuerza del motor sacude la máquina hacia atrás en dirección al operario;
- si la hoja de sierra se tuerce o se alinea incorrectamente, los dientes de la parte posterior de la hoja de la sierra pueden engancharse en la superficie de la pieza de trabajo, de manera que la hoja de sierra sale de la ranura y salta hacia atrás en dirección al operario.

El contragolpe es la consecuencia de un uso incorrecto o inapropiado de la sierra. Puede evitarse si se siguen unas medidas de precaución adecuadas como las que se describen a continuación.

- **Sujete la sierra con ambas manos y coloque los brazos de tal modo que le permitan hacer frente a la fuerza de un posible contragolpe. Colóquese siempre en un lateral de la hoja de sierra, no la sitúe en línea con su cuerpo.** En caso de contragolpe la sierra circular puede saltar hacia atrás; sin embargo, el operario puede controlar la fuerza del contragolpe si aplica unas medidas adecuadas.
- **Si la hoja de sierra se engancha o desea interrumpir el trabajo, suelte el interruptor de conexión y desconexión y sujete la sierra dentro del material tranquilamente hasta que la hoja de sierra se detenga completamente. No intente retirar la sierra de la pieza de trabajo o tirar de la sierra hacia atrás mientras la hoja de sierra se esté moviendo, pues podría producirse un contragolpe.** Averigüe y subsane el motivo por el que la hoja de sierra se ha enganchado.
- **Cuando desee reanudar el trabajo con una sierra que se encuentre dentro de una pieza de trabajo, centre la hoja de sierra en la ranura de serrado y compruebe que los dientes de la sierra no se hayan enganchado en la pieza de trabajo.** Si la hoja

de sierra se hubiera enganchado, puede salirse de la pieza de trabajo u ocasionar un contragolpe al volver a arrancarla.

- **Cuando trabaje con paneles grandes, apuntélos para reducir el riesgo de que se produzca un contragolpe por el enganche de una hoja de sierra.** Los paneles grandes pueden combarse por su propio peso. Los paneles deben apuntalarse por ambos lados, tanto cerca de la ranura de serrado como en el canto.
- **No utilice hojas de sierra romas o dañadas.** Las hojas de sierra con dientes romos o mal alineados producen, a causa de una ranura de serrado demasiado estrecha, un rozamiento mayor, el bloqueo de la hoja de sierra y contragolpes.
- **Antes de comenzar a serrar, fije los ajustes de profundidad y los ángulos de corte.** Si durante las tareas de serrado se modifican los ajustes, la hoja de sierra puede bloquearse y podría causar un contragolpe.
- **Tenga especial precaución al realizar cortes de incisión en muros o en otras zonas que no pueda examinar.** La hoja de sierra que realiza la incisión puede bloquearse al serrar objetos ocultos y causar un contragolpe.

Funciones de la caperuza de protección

- **Antes de cada uso compruebe que la caperuza de protección se cierra correctamente. No utilice la sierra si la caperuza de protección no ofrece movilidad y no se cierra de inmediato. No bloquee ni inmovilice la caperuza de protección; de lo contrario, la hoja de sierra quedaría desprotegida.** Si la sierra cae al suelo por accidente, la caperuza de protección puede deformarse. Asegúrese de que la caperuza se mueve sin dificultad y que no entra en contacto con la hoja de sierra ni con otras piezas en ningún ángulo o profundidad de corte.
- **Compruebe el estado y el funcionamiento del resorte de la caperuza de protección. No utilice la herramienta si la caperuza de protección y el resorte no funcionan correctamente.** Las piezas dañadas, los residuos pegajosos o la acumulación de virutas hacen que la caperuza de protección funcione de forma retardada.
- **Al realizar un corte de incisión no rectangular, asegure la placa base de la sierra para evitar que se produzcan desplazamientos laterales.** Un desplazamiento la-

teral podría bloquear la hoja de sierra, lo que causaría un contragolpe.

- **No coloque la sierra en la mesa de trabajo o en el suelo sin haber comprobado que la caperuza de protección cubre la hoja de sierra.** Una hoja de sierra sin protección que marcha por inercia mueve la sierra en sentido contrario al corte y sierra todo lo que está en su camino. Tener en cuenta el tiempo de marcha por inercia de la sierra.

Funcionamiento de la cuña de guía [5-4]

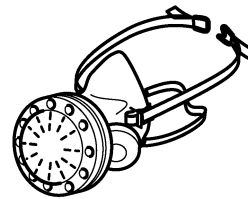
- a. **Utilice la hoja de serrar apropiada para la cuña de guía.** Para que la cuña de guía cumpla su función, el disco de soporte de la hoja de serrar debe ser más fino que la cuña de guía y el ancho del dentado debe ser mayor que el grosor de la cuña de guía.
- b. **No ponga la sierra en funcionamiento con la cuña de guía cubierta.** Una avería sin importancia podría ralentizar el cierre de la caperuza de protección.

3.3 Riesgos para la salud producidos por el polvo



ADVERTENCIA! algunos polvos creados por lijadoras motorizadas, aserraderos, trituradores, perforadoras y otras actividades de construcción contienen sustancias químicas que se sabe (en el Estado de California) causan cáncer, defectos de nacimiento u otros daños al sistema reproductivo. Algunos ejemplos de estas sustancias químicas son:

- Plomo de las pinturas con base de plomo
- Sílice cristalino de los ladrillos y cemento y otros productos de mampostería, y
- Arsénico y cromo de madera tratada con sustancias químicas



El riesgo de exposición a estas sustancias varía, dependiendo de cuantas veces se hace este tipo de trabajo. Para reducir el contacto con estas sustancias químicas: trabaje en un área con buena ventilación y trabaje con equipo de seguridad aprobado, como mascarillas para el polvo diseñadas específicamente para filtrar partículas microscópicas.

**ADVERTENCIA**

PARA REDUCIR EL RIESGO DE LESIÓN, EL USUARIO DEBE LEER EL MANUAL DE INSTRUCCIÓN.

4 Datos técnicos

| | |
|--|--|
| Sierra circular | TS 55 REQ |
| Potencia | 1200 W |
| N.º de revoluciones (marcha en vacío) | 2000 - 5800 min ⁻¹ |
| Inclinación | -1° to 47° |
| Profundidad de corte a 0° | 0 - 2-1/8" (0 - 55 mm) |
| Profundidad de corte a 45° | 0 - 1-11/16" (0 - 43 mm) |
| Medidas de la hoja de serrar | 6-1/4"x 3/32 x 25/32" (160x2.2x20 mm) |
| Peso (sin cable de red) según procedimiento EPTA 01:2014 | 9.92 lbs (4.5 kg) |

5 Descripción de las funciones

Las imágenes con la dotación de suministro se encuentran en una hoja desplegable al comienzo de este manual de instrucciones. Cuando lea este manual, le recomendamos que despliegue esta página para disponer fácilmente de una vista general de la máquina.

- [1-1]** Mordazas de ajuste
- [1-2]** Escala de ángulo
- [1-3]** Botones giratorios para el ajuste de ángulo
- [1-4]** Empuñaduras
- [1-5]** Palanca para cambio de herramienta
- [1-6]** Bloqueo de conexión
- [1-7]** Interruptor de conexión y desconexión
- [1-8]** Racor de aspiración
- [1-9]** Desbloques para destalonado de -1° a 47°
- [1-10]** Regulación del número de revoluciones
- [1-11]** Cable de conexión a la red
- [1-12]** Escala dividida en dos para el tope de profundidad de corte (con/sin riel de guía)
- [1-13]** Tornillo de ajuste de profundidad de corte para hojas de sierra rectificadas

[1-14] Tope de profundidad de corte

[1-15] Indicador de corte

[1-16] Mirilla / protección contra el vuelo de virutas

[1-17] Protección anti-astillas

6 Uso conforme a lo previsto

Las sierras de incisión están diseñadas para serrar madera, materiales con características similares a la madera, materiales fibrosos de yeso o cemento aglomerado, así como plásticos. Gracias a la oferta de hojas de sierra especiales de Festool para aluminio, las máquinas también pueden utilizarse para serrar aluminio.

Solo pueden utilizarse hojas de sierra con lo siguientes datos:


- Hojas de sierra según EN 847-1
- Diámetro hoja de sierra 6-1/4" (160 mm)
- Anchura de corte 3/32" (2.2 mm)
- Taladro de alojamiento 25/32" (20 mm)
- Grosor de disco de soporte máx. 1/16" (1.8 mm)
- apto para n.º de revoluciones de hasta 9500 rpm

No utilizar discos de lijar.



Esta herramienta eléctrica solo debe ser utilizada por personal especializado o por personas que hayan recibido la formación adecuada.

Las herramientas eléctricas Festool solo pueden montarse en mesas de trabajo suministradas por Festool para dicho fin. El montaje en

mesas de trabajo de otras marcas o de fabricación propia puede mermar la seguridad de la herramienta eléctrica y provocar accidentes graves.


 El usuario es responsable de los daños y accidentes producidos por un uso indebido.

7 Puesta en servicio

  **ADVERTENCIA**


Tensión o frecuencia no permitida
Peligro de accidente

- La tensión de red y la frecuencia de la red eléctrica deben coincidir con los datos que figuran en la placa de tipo.
- En Norteamérica solo pueden utilizarse las máquinas Festool con una tensión de 120 V/60 Hz.


 **PRECAUCIÓN**

Calentamiento de la conexión plug-it porque el cierre de bayoneta no está completamente bloqueado
Peligro de quemaduras

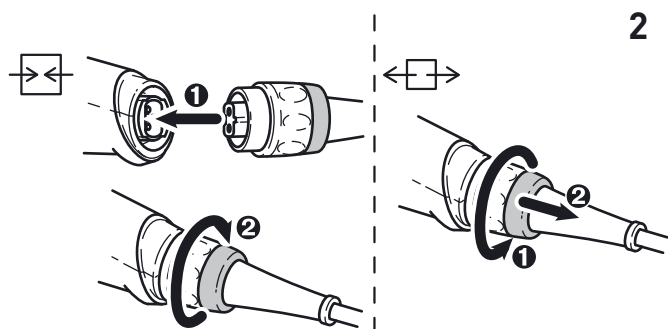
- Antes de conectar la herramienta eléctrica, asegurarse de que el cierre de bayoneta del cable de conexión a la red eléctrica esté completamente cerrado y bloqueado.

 Apagar siempre la máquina antes de conectar y desconectar el cable de conexión a la red eléctrica.

Conexión y desconexión del cable de conexión a la red **[1-11]**, véase la imagen **[2]**.

 Cierre el bloqueo de conexión **[1-6]** hacia arriba y pulse el interruptor de conexión y desconexión **[1-7]** (pulsar = conectado; soltar = desconectado).

El accionamiento del bloqueo de conexión desbloquea el dispositivo de incisión. El grupo de la sierra se puede mover hacia abajo. La hoja de sierra sale de la caperuza de protección.



7.1 Cable de prolongación

Si se necesita un cable de prolongación, este debe tener una sección transversal suficiente para evitar una caída excesiva de voltaje o un sobrecalentamiento. Una caída excesiva de voltaje reduce la potencia y puede ocasionar un fallo del motor. La siguiente tabla muestra el diámetro correcto del cable para esta herramienta en función de su longitud.

Tab. 7.1: Dimensiones del cable en AWG


| Amperaje de la herramienta | Longitud del cable en pies | | | |
|----------------------------|----------------------------|----|-----|-----|
| | 25 | 50 | 100 | 150 |
| 3-6 | 18 | 16 | 16 | 14 |
| 6-8 | 18 | 16 | 14 | 12 |
| 8-10 | 18 | 16 | 14 | 12 |
| 10-12 | 16 | 16 | 14 | 12 |
| 12-16 | 14 | 12 | - | - |

Tab. 7.2: Dimensiones del cable en mm²



| Amperaje de la herramienta | Longitud del cable en metros | | | |
|----------------------------|------------------------------|------|-----|-----|
| | 15 | 30 | 60 | 120 |
| 3-6 | 0,75 | 0,75 | 1,5 | 2,5 |
| 6-8 | 0,75 | 1,0 | 2,5 | 4,0 |
| 8-10 | 0,75 | 1,0 | 2,5 | 4,0 |
| 10-12 | 1,0 | 2,5 | 4,0 | - |
| 12-16 | - | - | - | - |

Usar solo cables de prolongación contemplados por los estándares UL y CSA.

No utilizar nunca dos cables de prolongación juntos. Utilizar uno largo en su lugar.

 Cuanto más bajo sea el número AWG, más fuerte será el cable.

8 Ajustes

  **ADVERTENCIA**

Peligro de lesiones y electrocución

- Desconectar el enchufe de la red antes de realizar cualquier trabajo en la máquina.

8.1 Sistema electrónico

La máquina dispone de un sistema electrónico de onda completa con las siguientes propiedades:

Arranque suave



El arranque suave regulado electrónicamente garantiza un arranque sin sacudidas de la herramienta eléctrica.

Número de revoluciones constante

El número de revoluciones del motor se mantiene constante gracias a un sistema electrónico. De este modo se consigue también una velocidad de corte estable bajo carga.

Regulación del número de revoluciones

El número de revoluciones puede ajustarse con la rueda de ajuste **[1-10]** de modo continuo dentro de la gama de revoluciones (véanse los Datos técnicos). De esta forma, puede adaptar la velocidad de corte de forma óptima a cada superficie (véase tabla).

| Material | Velocidad |
|--|---------------|
|  Madera maciza (dura, blanda) Placas de viruta y de fibra dura Madera laminada, tableros de ebanistería, placas enchapadas y revestidas | 6 3-6 6 |
|  Plásticos, plásticos de fibra de vidrio reforzada (GfK), papel y tejidos Vidrio acrílico | 3-5 4-5 |
|  Placas de fibras de yeso y cemento aglomerado | 1-3 |
|  Al Placas y perfiles de aluminio hasta 15 mm | 4-6 |

Protector contra sobret temperatura

Si el motor alcanza una temperatura excesiva, se reducen la alimentación de corriente y el número de revoluciones. La herramienta eléctrica seguirá funcionando a potencia reducida para permitir que el motor se enfríe rápidamente mediante el sistema de ventilación. Una vez enfriada, la herramienta eléctrica arranca automáticamente.

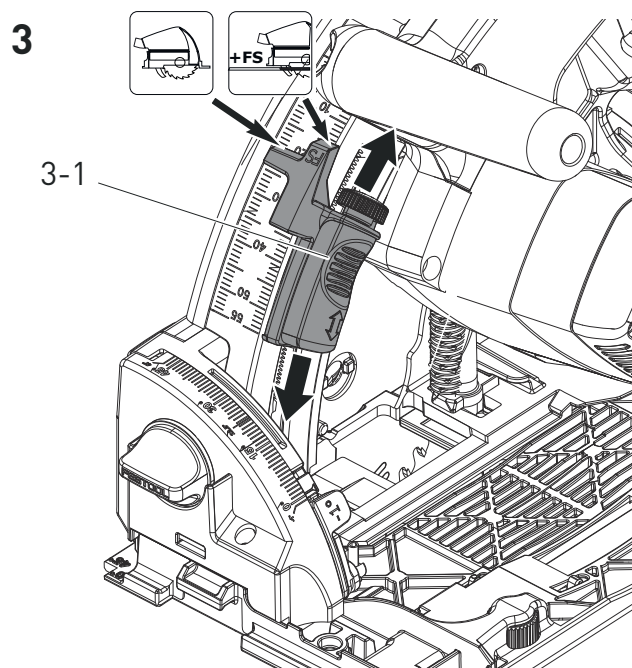
Limitación de corriente

La limitación de corriente evita un consumo de corriente excesivo en caso de sobrecarga extrema. Esto puede causar una reducción de la velocidad del motor. Tras aliviarse la carga, el motor vuelve a ponerse en marcha inmediatamente.

8.2 Ajuste de la profundidad de corte

La profundidad de corte se puede ajustar entre 0 y 2-1/8" (55 mm) en el tope de profundidad de corte **[3-1]**:

El grupo de sierra puede ahora presionarse hacia abajo hasta la profundidad de corte ajustada.



Profundidad de corte sin riel de guía máx. 2-1/8" (55 mm)



Profundidad de corte con riel de guía FS máx. 1-15/16" (51 mm)

8.3 Ajuste de ángulo de corte entre 0° y 45°:

- ▶ Abra los botones giratorios **[4-1]**.
- ▶ Incline el grupo de la sierra hasta el ángulo de corte deseado **[4-2]**.
- ▶ Cierre los botones giratorios **[4-1]**.



Las dos posiciones (0° y 45°) vienen ajustadas de fábrica y pueden ser reajustadas por el servicio de atención al cliente.



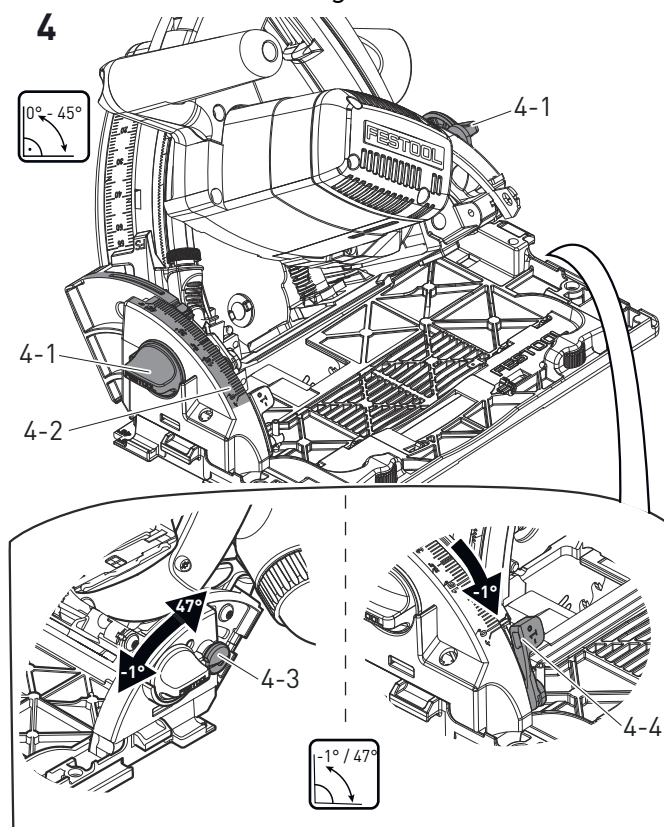
En los cortes angulares, sitúe la mirilla/la protección antiastillas en la posición superior.

En destalonado -1° y 47°:

- ▶ Incline el grupo de la sierra hasta la posición final (0°/45°) como se describe arriba.
- ▶ Tire del desbloqueo [4-3] ligeramente hacia fuera.
- ▶ Para el destalonado de -1° saque el desbloqueo [4-4].

El grupo de la sierra cae a la posición -1°/47°.

- ▶ Cierre los botones giratorios [4-1].

**8.4 Hojas de serrar****ADVERTENCIA****Hojas de sierra con grietas o deformadas****Peligro de lesiones**

- ▶ Controlar regularmente si la hoja de sierra aún se encuentra en perfecto estado y sino tienen que ser cambiadas inmediatamente.

Al elegir las hojas de sierra, es imprescindible observar los puntos indicados a continuación:

- No está permitido emplear hojas de sierra de acero rápido de alta aleación (hojas de sierra circular HSS), ya que de lo contrario existe un elevado peligro de reculada.
- Solamente deben emplearse hojas de sierra, cuyo diámetro exterior se encuentra entre 6-1/4" (160 mm).
- El diámetro del orificio de alojamiento de la hoja de sierra tiene que ser de 25/32" (20 mm).
- Solamente deben emplearse hojas de sierra, cuyo espesor del cuerpo base es de

1/16" (1.8 mm) como máximo, y cuyo ancho de corte es de 3/32" (2.2 mm) a 1/8" (3.0 mm).

La TS 55 REQ ha sido expuesta a pruebas con las hojas de sierra Festool expuestas en el catálogo de la casa Festool. Por su propia seguridad, le recomendamos emplear únicamente estas hojas de sierra.

8.5 Cambio de la hoja de sierra**PRECAUCIÓN****Peligro de lesiones por herramienta caliente y afilada**

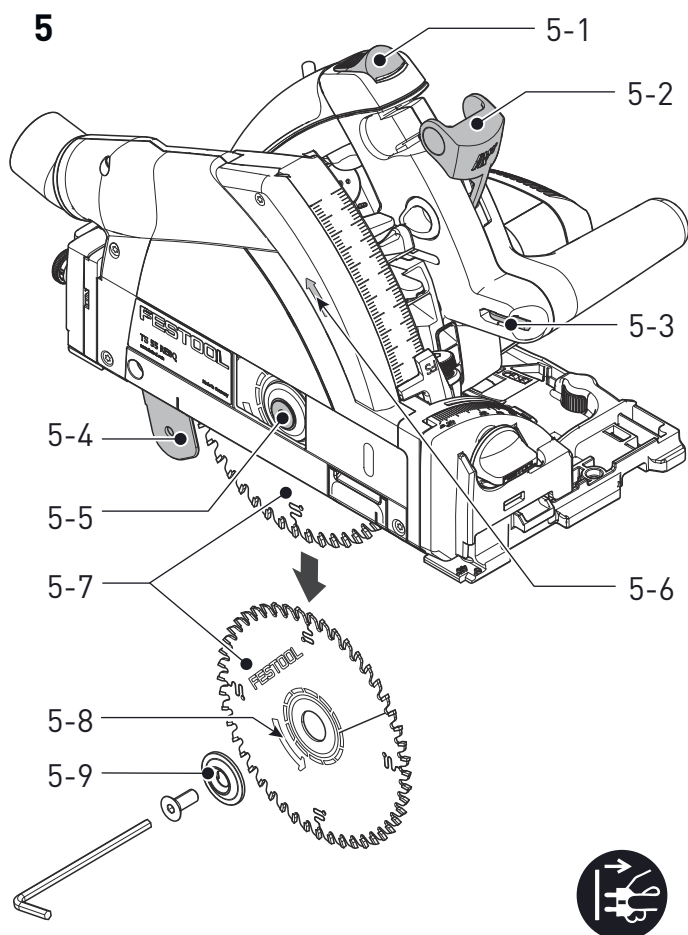
- ▶ No utilizar herramientas romas o defectuosas.
- ▶ Utilizar guantes de protección.

- ▶ Antes de cambiar la hoja de sierra, incline la máquina a la posición de 0° y ajuste la profundidad de corte máxima.
- ▶ Mueva la palanca hasta el tope [5-2].
- ▶ Levante el bloqueo de conexión [5-1] y presione el grupo de la sierra hacia abajo hasta que se encastre.
- ▶ Afloje el tornillo [5-5] con la llave de macho hexagonal [5-3].
- ▶ Retire la hoja de sierra [5-7].
- ▶ Coloque una hoja de sierra nueva.



El sentido de giro de la hoja de sierra [5-8] y el de la máquina [5-6] deben coincidir.

- ▶ Coloque la brida exterior [5-9] de manera que el taco de arrastre encaje en la entalladura de la brida.
- ▶ Apriete el tornillo [5-5].
- ▶ Vuelva a mover la palanca [5-2] a la posición anterior.





8.6 Montaje de mirilla/protección antiastillas [6]

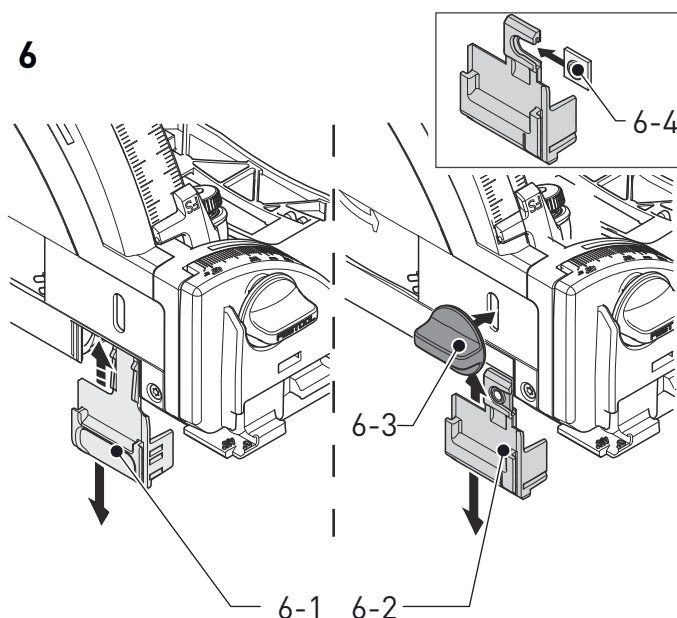
La **mirilla** (transparente) [6-1] permite observar la hoja de sierra y optimiza la aspiración del polvo.

La **protección antiastillas** (verde) [6-2] mejora considerablemente la calidad del canto de corte del lado superior de la pieza de trabajo en cortes de 0°.

- ▶ Coloque la protección antiastillas [6-2].
- ▶ Enrosque el botón giratorio [6-3] en la protección antiastillas a través del orificio alargado.

 Preste atención a que la tuerca [6-4] esté debidamente asentada en la protección antiastillas.

 **Utilizar únicamente el botón giratorio que se suministra junto con la sierra de incisión.** El botón giratorio de otras sierras puede ser demasiado largo y bloquear la hoja de sierra.



Antes del primer uso es necesario serrar la protección antiastillas:

- ▶ Ajuste la máquina a la profundidad de corte máxima.
- ▶ Ajuste la velocidad de la máquina al nivel 6.

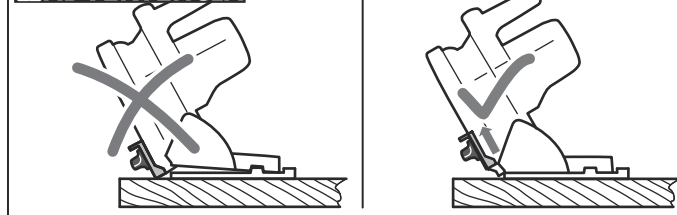


ADVERTENCIA

La mirilla / la protección anti-astillas provoca que la sierra circular se desvíe al realizar cortes a inglete en la pieza de trabajo
Peligro de lesiones

- ▶ Retire siempre la mirilla / la protección anti-astillas al realizar cortes a inglete.

ADVERTENCIA



8.7 Aspiración



ADVERTENCIA

Consecuencias perjudiciales para la salud a causa del polvo

- ▶ No trabajar nunca sin sistema de aspiración.
- ▶ Observar las disposiciones nacionales.
- ▶ ¡Utilizar una mascarilla de protección!

En el racor de aspiración [1-8] se puede conectar un aspirador multiuso Festool con un diámetro de tubo flexible de 27 mm o de 36 mm (se recomienda 36 mm ya que el riesgo de obstrucción es menor).

9 Trabajo con la máquina



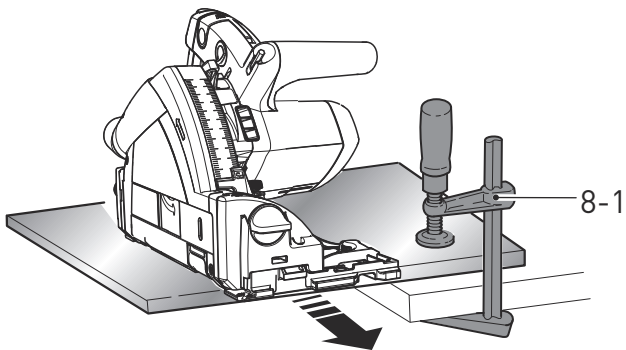
Durante el trabajo, tenga en cuenta todas las indicaciones de seguridad mencionadas al principio de este documento, así como las normas siguientes:

- Verifique antes de cada uso la función del dispositivo de montaje y utilice la máquina solo si funciona correctamente
- Durante el trabajo, sujete la máquina siempre con ambas manos por las empuñaduras [1-4]. De este modo, evitará posibles accidentes y conseguirá aumentar la precisión del trabajo.
- Adapte la velocidad de avance para evitar que se sobrecaliente el corte de la hoja de serrar o que se derrita el plástico al serrarlo.
- Antes de empezar a trabajar, cerciórese de que todos los botones giratorios [4-1] estén fijamente enroscados.
- Tras la desconexión de la máquina, la hoja de sierra continúa girando en inercia durante un momento. ¡Proceda con cuidado, para evitar que la hoja de sierra entre en contacto con alguna parte de su cuerpo mientras continúa girando en inercia!
- No trabaje con la máquina si el sistema electrónico está defectuoso, pues puede provocar un incremento del número de revoluciones. Un sistema electrónico defectuoso se reconoce porque se producen fallos en el arranque suave o porque no permite la regulación del número de revoluciones.



En caso de trabajos que produzcan polvo, utilice una mascarilla.

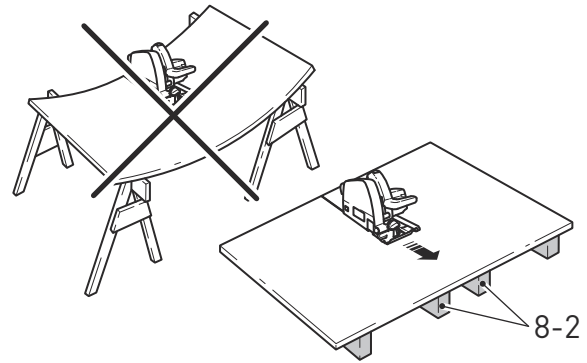
9.1 Apoyo de las piezas



Facilite en todo momento un apoyo seguro de sus piezas, y que no se puedan mover durante el aserrado. En caso contrario existe un gran peligro de accidentes. No sujete nunca la pieza que vaya a aserrar con las manos o sobre sus piernas. En lugar de ello, emplee prensas de

tornillo [8-1] u otros dispositivos apropiados para la fijación de su pieza.

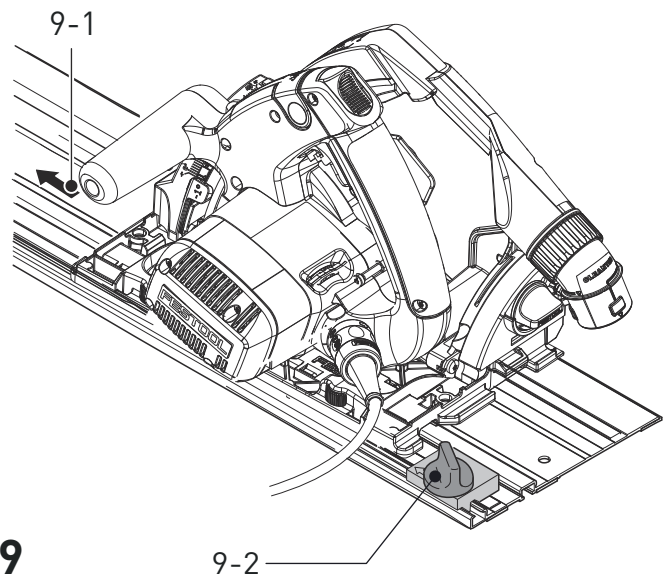
Las piezas grandes y largas no deben colocarse nunca de manera que flexionen en el centro o en el punto de corte. En caso dado, esto puede conducir a un aprisionamiento de la hoja de sierra y a un rebote brusco. En lugar de ello, calce la pieza con varios listones [8-2], en particular en las inmediaciones del punto de corte.



9.2 Trabajos de aserrado

⚠ ADVERTENCIA Antes de iniciar el corte, la máquina tiene que haber alcanzado su plena velocidad, y solamente debe ser desconectada después de haber terminado el corte.

⚠ ADVERTENCIA Corte siempre en el sentido contrario al del avance de la pieza, es decir, contra la pieza (desplazando la sierra circular de mano hacia delante, [9-1] y nunca en el sentido del avance de la pieza, es decir, apartándose de la pieza (desplazando la sierra circular de mano hacia atrás). Al aserrar en el sentido del avance de la pieza existe el peligro, de que la sierra circular de mano salte fuera de la ranura de corte (rebote), pudiendo producir lesiones graves.

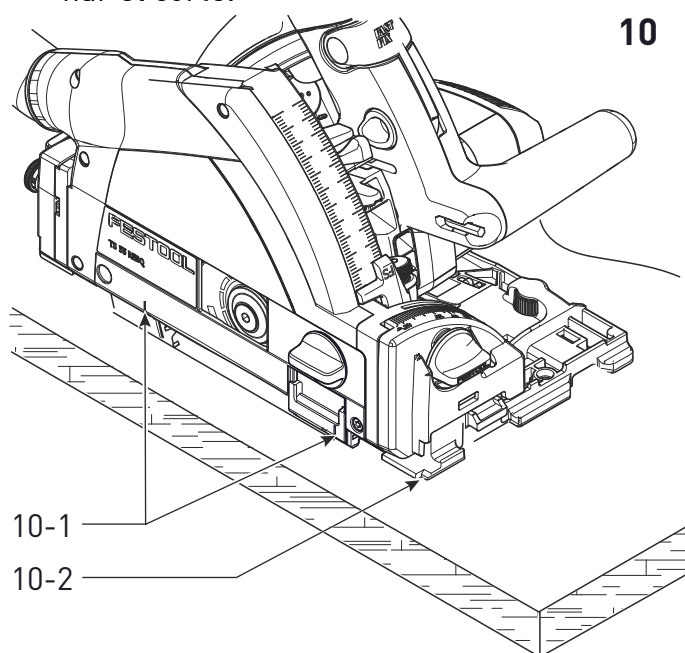


9

9-2

A) Tronzado

- ▶ Colocar la parte delantera de la mesa de aserrado sobre la pieza. El indicador de corte **[10-2]** muestra el proceso en cortes de 0° y 45° (sin riel de guía).
- ▶ Conectar la máquina y presionar la sierra hacia abajo hasta la profundidad de corte ajustada.
- ▶ Desplazar la máquina en el sentido de corte. Observar que la mesa de aserrado descanse siempre firmemente sobre la pieza.
- ▶ Desconectar la máquina después de terminar el corte.



B) Serrar segmentos (cortes de incisión)

⚠ADVERTENCIA A fin de evitar contragolpes, deberá observar obligatoriamente las siguientes indicaciones al efectuar cortes de inmersión:

- Coloque la máquina siempre con el canto posterior de la mesa de serrar contra un tope fijo.
- Al trabajar con el riel de guía apoye la máquina en la parada de contragolpe FS-RSP (accesorios) **[9-2]** la cual a su vez va fijada al riel de guía.
- La máquina se sostendrá firmemente con las dos manos y se sumergirá lentamente.

Procedimiento

- ▶ Coloque la máquina sobre la pieza de trabajo y apóyela contra un tope (parada de contragolpe).
- ▶ Conecte la máquina.
- ▶ Presione la máquina lentamente hasta la profundidad de corte ajustada y muévala en el sentido del corte.

Las marcas **[10-1]** muestran, a la profundidad de corte máxima y si se utiliza el riel de guía, el punto de corte situado más adelante y más atrás de la hoja de sierra (dia. 6-1/4" (160 mm)).

C) Serrar aluminio

⚠ADVERTENCIA Al trabajar con aluminio deberá tener presente las siguientes medidas por motivos de seguridad:

- Agregar un interruptor de corriente de defecto (FI).
- Conectar la máquina a un aparato de aspiración apropiado.
- Limpiar periódicamente los depósitos de polvo acumulados en la carcasa del motor y en la caperuza de protección.
- Utilice una hoja de serrar de aluminio.
- Cierre la mirilla/la protección contra el vuelo de virutas.



Usar gafas de protección.

- Al serrar placas, hay que lubricar con nafta, los perfiles de capa delgada (hasta 1/8" (3 mm)) pueden trabajarse sin lubricación.

D) Placas de fibras de yeso y cemento aglomerado

Debido al gran volumen de polvo que se levanta, se recomienda utilizar la protección ABSA-TS55 montable lateralmente en la caperuza de protección (accesorio).

10 Mantenimiento y limpieza



ADVERTENCIA

Cualquier trabajo de mantenimiento o reparación que requiera abrir el motor o la carcasa del engranaje deberá ser realizado únicamente por un Centro de Atención al Cliente (nombre proporcionado por su concesionario).

- ▶ Los trabajos de mantenimiento o reparación realizados por una persona no autorizada podrían provocar la conexión incorrecta de los conductores de alimentación u otros componentes, lo que a su vez podría provocar accidentes con consecuencias graves.

**ADVERTENCIA**

Para prevenir los accidentes, antes de realizar cualquier trabajo de mantenimiento o reparación en la máquina retire siempre el enchufe de la toma de corriente.

- ▶ No utilice aire a presión para limpiar las herramientas eléctricas. No intente limpiar las partes internas de la máquina de este modo, ya que podría permitir la entrada de objetos extraños a través de las aperturas de la carcasa de la máquina.

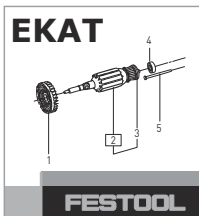
**PRECAUCIÓN**

Algunos productos de limpieza y disolventes resultan perjudiciales para las piezas de plástico.

- ▶ Algunos de ellos incluyen, entre otros, gasolina, acetona, metilacetona (MEK) y oxocloruro de carbono. Los productos de limpieza normalmente contienen cloro y amoníaco y los productos de limpieza del hogar contienen amoníaco.



El Servicio de Atención al Cliente y de Reparaciones solo está disponible a través del fabricante o los talleres de reparación. Dirección más cercana en: www.festool.es/servicio



Utilizar únicamente piezas de recambio Festool originales. Referencia en: www.festoolusa.com/service

Al desgastarse, se efectúa una interrupción automática de la corriente y la máquina se para. En este caso, el aparato deberá ser llevado a un taller de servicio de asistencia técnica autorizado, donde se cambiarán las escobillas.

Tener en cuenta las siguientes advertencias

- ▶ Con el fin de garantizar una correcta circulación del aire, las aberturas para el aire de refrigeración de la carcasa deben mantenerse despejadas y limpias.
- ▶ Aspirar en todos los orificios para limpiar astillas y virutas de la herramienta eléctrica.
- ▶ Los dispositivos de protección y las piezas que presenten daños deben ser reparados o sustituidos conforme a lo prescrito por un taller especializado autorizado, a menos

que se especifique de otro modo en el manual de instrucciones.

- ▶ Al trabajar con placas de fibras de yeso y aglomerado de cemento, limpiar la herramienta de forma minuciosa. Limpie los orificios de ventilación de la herramienta eléctrica y los del interruptor de conexión y desconexión con aire comprimido seco y sin aceite. De lo contrario podría sedimentarse polvo con yeso en la carcasa de la herramienta eléctrica y el interruptor de conexión y desconexión, y endurecerse tras entrar en contacto con la humedad ambiental. Esto podría conllevar problemas en el mecanismo de conmutación
- ▶ Comprobar que todas las advertencias de la herramienta eléctrica sean legibles y estén completas. Reemplazar las advertencias que falten o que no sean legibles.



El mecanismo de profundización siempre debe poder moverse libremente y volver automáticamente a la posición inicial. Mantener despejada en todo momento la zona cercana al protector/la caperuza de protección. Eliminar el polvo y las virutas soplando con aire comprimido o utilizando un cepillo.

Al levantarla de la pieza, la máquina se desplaza elástica y automáticamente a su posición inicial, la hoja de sierra entra en la caperuza protectora y el bloqueo de conexión y desenclavamiento enclava de nuevo. En caso de irregularidades en el funcionamiento, la sierra circular de mano ya no deberá ser empleada, sino que deberá ser reparada sin pérdida de tiempo en un taller de servicio de asistencia técnica autorizado.

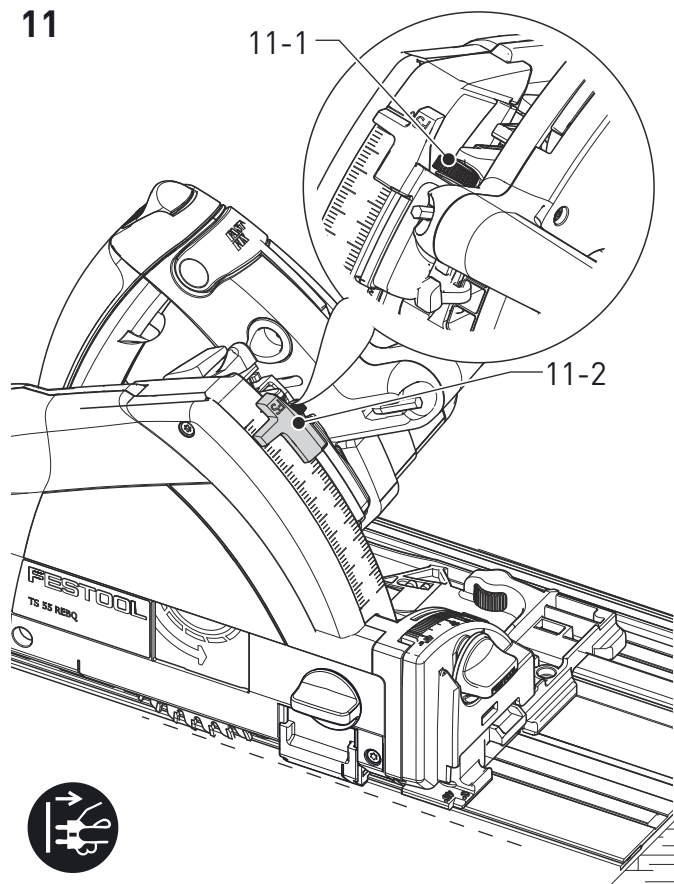
La cuña de guía tiene que estar alineada con la hoja de sierra y no debe estar doblada (deformada). Una cuña de guía defectuosa tiene que ser cambiada inmediatamente. Bajo ninguna circunstancia se deberá trabajar sin cuña de guía ya que en caso dado existe un gran peligro de rebotes.

El filo de la hoja de sierra se pierde con el tiempo, aún cuando ésta es empleada debidamente. Cambie la hoja de sierra tan pronto como note que necesita una mayor fuerza para el avance de la máquina durante el aserrado, o cuando registre una merma en la calidad de corte. Las hojas de sierra sin filo deberán ser reafladas en un taller de servicio de asistencia técnica autorizado. Desmonte la hoja de sierra cuando desee limpiar la resina adherida y la

suciedad de madera, empleando para ello kerosina.

10.1 Hojas de sierra rectificadas

11



El tornillo de ajuste **[11-1]** permite ajustar exactamente la profundidad de corte de las hojas de serrar rectificadas.

- ▶ Ajuste el tope de la profundidad de corte de la sierra circular **[11-2]** a 0 mm (con riel de guía).
- ▶ Desbloquee el grupo de la sierra y presiónelo hacia abajo hasta el tope.
- ▶ Gire el tornillo de ajuste **[11-1]** e introdúzcalo hasta que la hoja de serrar entre en contacto con la pieza de trabajo.

10.2 La mesa de serrar se tambalea



Al ajustar el ángulo de corte, la mesa de serrar debe estar colocada sobre una superficie plana.

Si la mesa de serrar se tambalea, se debe volver a ajustar (**capítulo 8.3**).

11 Accesorios

Utilice únicamente los accesorios Festool originales y el material de consumo Festool diseñados para esta máquina, puesto que los componentes de este sistema están óptimamente adaptados entre sí. La utilización de accesorios y material de consumo de otros fabricantes

puede afectar a la calidad de los resultados de trabajo y conllevar una limitación de los derechos de la garantía. El desgaste de la máquina o de su carga personal puede variar en función de la aplicación. Utilice únicamente accesorios originales y material de consumo de Festool para su propia protección y la de la máquina, así como de los derechos de la garantía.

Los números de pedido de los accesorios y las herramientas figuran en el catálogo de Festool o en la dirección de Internet "www.festoolusa.com".

11.1 Hojas de sierra, otros accesorios

Para cortar diversos materiales de forma rápida y limpia, Festool le ofrece hojas de sierra compatibles con su sierra circular Festool y adecuadas para cualquier aplicación.

11.2 Tope paralelo, ampliación de mesa

Para anchuras de segmento hasta 7-1/16" (180 mm) puede emplearse un tope paralelo. El tope paralelo también puede utilizarse como ampliación de mesa.

11.3 Protección lateral, machihembrados

La protección lateral montable en la caperuza de protección mejora la efectividad de la aspiración en cortes de 0°.

Simultáneamente, la protección puede utilizarse como tope machihembrado para anchuras a partir de 3/4" (18 mm).

11.4 Sistema de guía

Los rieles guía disponibles en diferentes longitudes permiten unos cortes precisos, limpios, protegiendo al mismo tiempo la superficie de la pieza de trabajo ante posibles daños.

En combinación con el extenso conjunto de accesorios, es posible efectuar con el sistema de guía unos cortes angulares, a inglete y unos trabajos de adaptación con gran exactitud. La posibilidad de fijación mediante abrazaderas **[12-2]** permite una sujeción estable y un trabajo seguro.

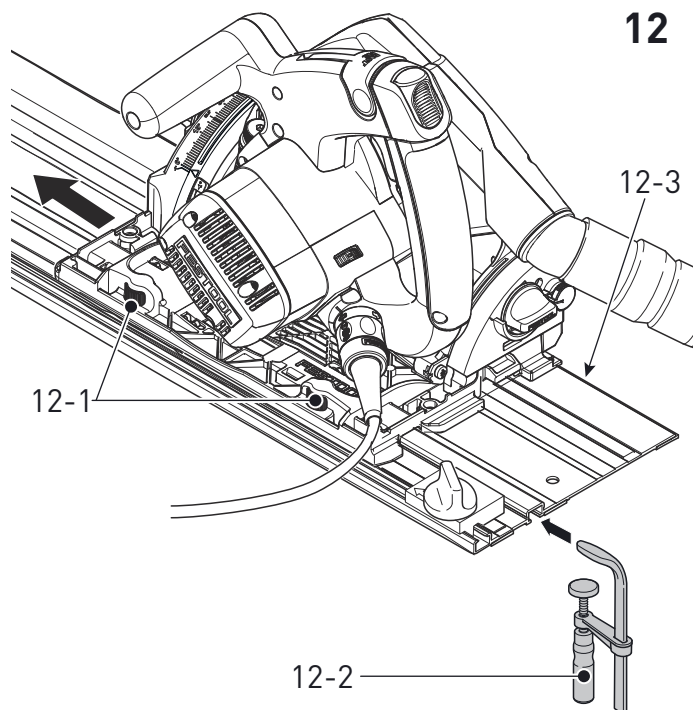
- ▶ El juego de guiado de la mesa de serrar sobre los rieles guía puede regularse con las dos mordazas de ajuste **[12-1]**.

Los rieles guía poseen una protección contra astillas [12-3] que debe cortarse a medida antes de su primera aplicación:

- ▶ Ajuste la velocidad de la herramienta eléctrica al escalón 6.
- ▶ Coloque la herramienta eléctrica en el extremo posterior del riel de guía.
- ▶ Conecte la herramienta eléctrica.

- ▶ Presione hacia abajo hasta la profundidad de corte ajustada y sierre la protección contra astillas en toda su longitud sin desviarse.

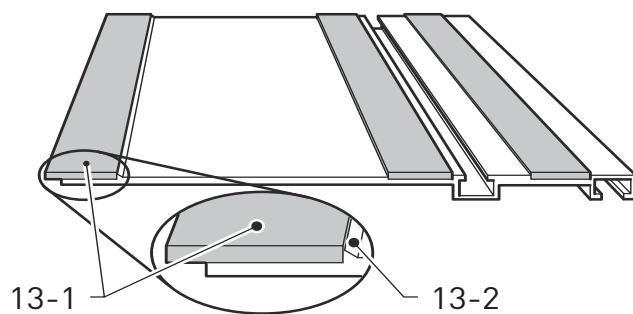
El canto de la protección contra astillas se corresponde exactamente con el canto de corte.



Debe sustituirse sin falta la protección contra astillas al apreciarse el menor síntoma de deterioro o desgaste:

- ▶ Extraiga la anterior protección contra astillas **[13-1]** del listón guía.
- ▶ Limpie cuando proceda el riel de guía de restos de pegamento y de suciedad originada por la protección contra astillas.
- ▶ Retire el plástico que cubre la nueva protección contra astillas hasta que la cinta adhesiva quede al descubierto.
- ▶ Sin estirar la goma, coloque con cuidado la nueva protección contra astillas sobre la parte inferior del listón guía, alineándola con el nervio guía **[13-2]**.
- ▶ Presione con fuerza la protección contra astillas contra el listón guía.
- ▶ Corte a medida la protección contra astillas, tal y como se ha descrito con anterioridad.

13



11.5 SYSTAINER

Systainer

Muchos de los productos Festool se entregan en un embalaje exclusivo denominado "Systainer" que sirve de protección a la herramienta y sus complementos, además de facilitar su almacenamiento. Los Systainer pueden apilarse y encajan unos con otros. Además se adaptan sin problema a cualquier aparato de aspiración CT de Festool.

Para abrir el Systainer



Gire el T-loc **[SYS-b-1]** a esta posición.

Para cerrar el Systainer



Gire el T-loc **[SYS-b-1]** a esta posición.

Para encajar dos Systainer

Ponga el Systainer sobre un otro **[SYS-a]**.

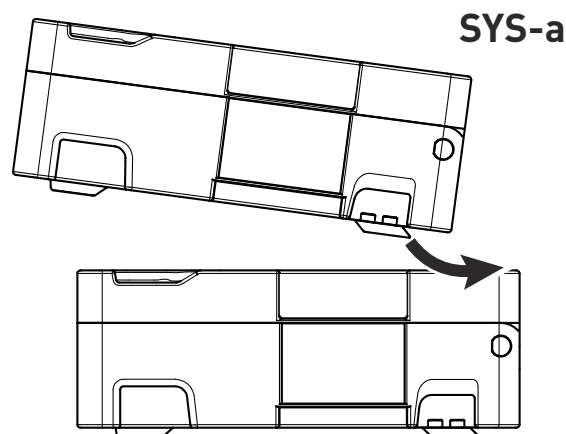


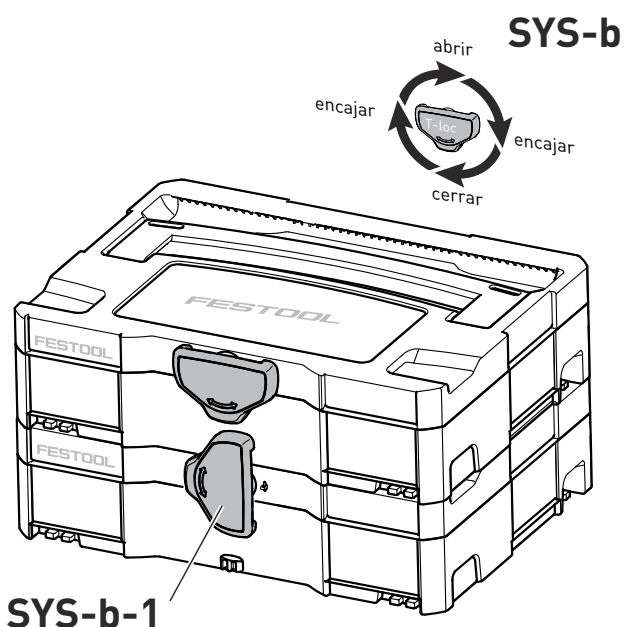
Gire el T-loc **[SYS-b-1]** a una de estas posiciones (Fig. **[SYS-b]**).

Los Systainers están encajados y cerrados.



Un Systainer de la nueva generación es encajable encima de un Systainer de la generación anterior con los cuatro enganches del Systainer anterior.





12 Medio ambiente

No deseches la herramienta junto con los residuos domésticos. Recicle las herramientas, accesorios y embalajes de forma respetuosa con el medio ambiente. Respete la normativa vigente del país.

13 Observaciones generales

13.1 Información relativa a la protección de datos

La herramienta eléctrica contiene un chip que almacena automáticamente los datos de servicio y de la máquina. Los datos guardados no pueden estar directamente relacionados con ninguna persona.

Los datos pueden leerse sin contacto con dispositivos especiales, y Festool los utiliza exclusivamente para el diagnóstico de fallos, la gestión de las reparaciones y de la garantía, así como para la mejora de la calidad o el perfeccionamiento de la herramienta eléctrica. Los datos no se utilizan para otros fines sin el consentimiento expreso del cliente.